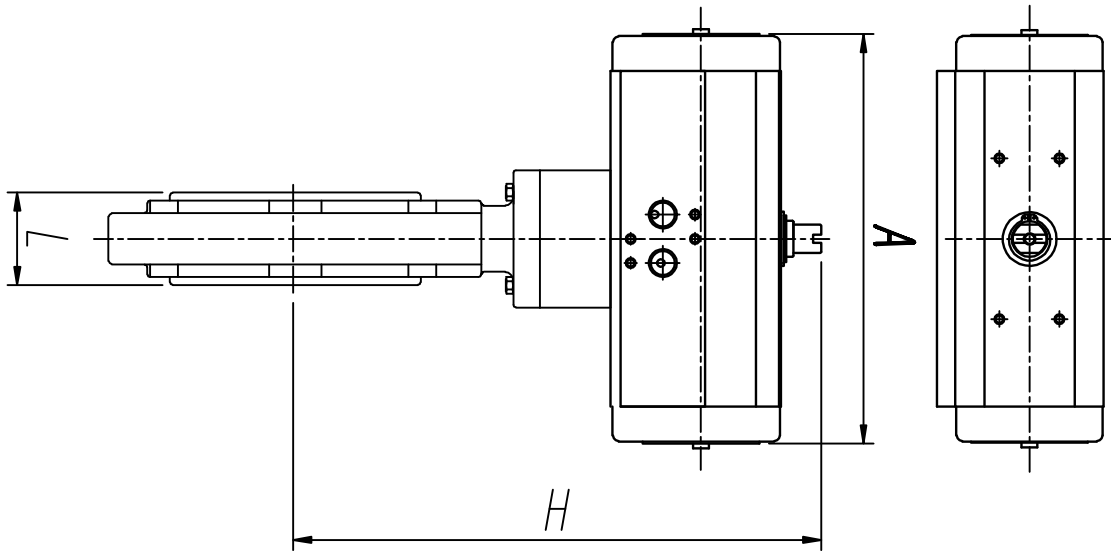
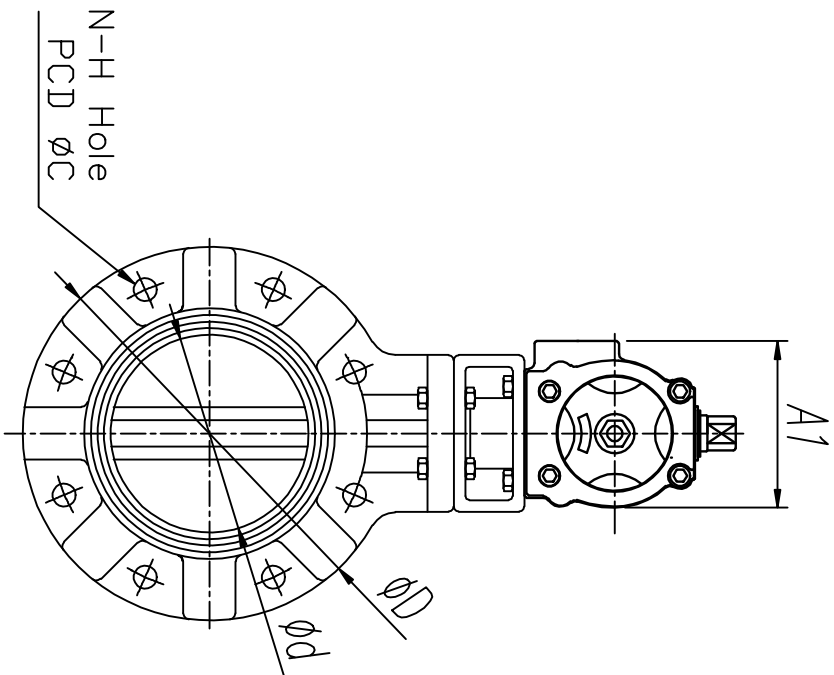


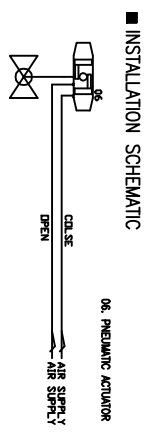
12-1
FOR APPROVAL



■ DIMENSION

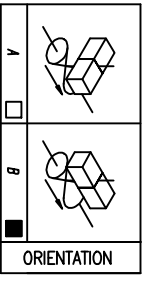
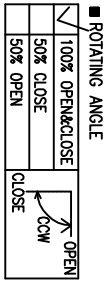
MODEL	QTY	ACTUATOR		H (APPROX.)	L±1.6	END CONNECTION (TS 10K WAFER)			Q (MAINT- ENCE)	+ (Min WALL THICKNESS)	WEIGHT (APPROX.)
		A	A1			D	C	N-H			
TD80-150BF	-	246	99	433	73	285	240	8-23	-	-	-
TD80-125BF	-	246	99	406	66	254	210	8-23	-	-	-
TD65-100BF	-	204	83	361	56	229	175	8-19	-	-	-
TD65-80BF	-	204	83	336	46	200	150	8-19	-	-	-
TD50-65BF	-	162	73	294	46	185	140	4-19	-	-	-
TD50-50BF	-	162	73	280	42	165	120	4-19	-	-	-

JIS 10K WAFER(mm)



NO.	PART NAME	QTY	MATERIAL	REMARK
1	BODY	1	C-PVC	
2	DISC	1	C-PVC	
3	STEM	1	C-PVC	
4	BACK SEAT	1	EPDM	
5	O-RING	1	EPDM	
6	ACTUATOR	1	TD	KOREAW
7				
8				
9				
10				
11				
12				

TAG NO.



Rev.	Date	Description	Pre d	Che d	App d

Designed by _____ Checked by _____

CL.MM

Title
BUTTERFLY VALVE(C-PVC)

Model
TD50-50BF ~ TD80-150BF

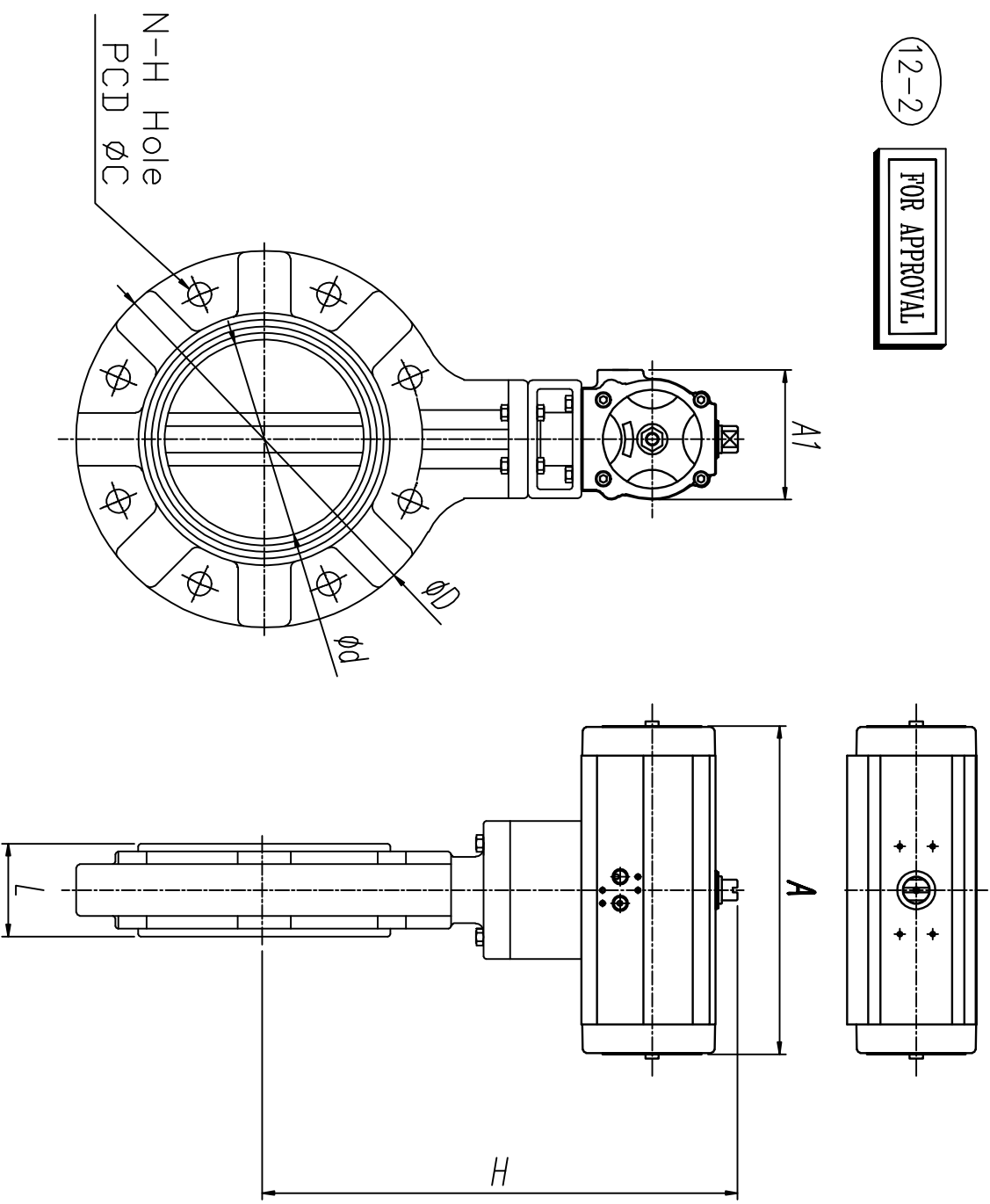
Drawing no.
A110214-02-12

Size
A4

Scale
N:S

Unit
mm

12-2
FOR APPROVAL



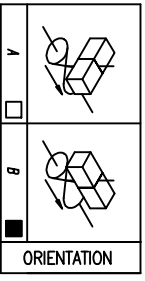
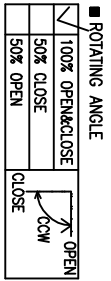
■ DIMANSION

MODEL	QTY	ACTUATOR		H	LE1.6	END CONNECTION (TS 10K WAFER)			Q	+	WEIGHT (APPROX.)
		A	A1	(APPROX.)		D	C	N-H	(MAINT- ENCE)	(Min WALL THICKNESS)	
TD160-400BF	-	540	178	929	174	600	510	16-27	-	-	-
TD140-350BF	-	456	158	770	134	520	445	16-25	-	-	-
TD125-300BF	-	414	136	742	131	485	400	16-25	-	-	-
TD100-250BF	-	296	118	655	111	410	355	12-25	-	-	-
TD100-200BF	-	296	118	553	94	340	290	12-23	-	-	-

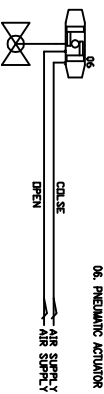
JIS 10K WAFER(mm)

NO.	PART NAME	QTY	MATERIAL	REMARK
1	BODY	1	C-PVC	
2	DISC	1	C-PVC	
3	STEM	1	C-PVC	
4	BACK SEAT	1	EPDM	
5	O-RING	1	EPDM	
6	ACTUATOR	1	TD	KOREAW
7				
8				
9				
10				
11				
12				

TAG NO.



■ INSTALLATION SCHEMATIC



Model TD50-50BF ~ TD80-150BF

Butterfly Valve(C-PVC)

Drawing no.	A110214-02-12	Size	A4	Scale	N:S	Unit	mm
-------------	---------------	------	----	-------	-----	------	----

TAESUNG
http://www.taesung.co.kr