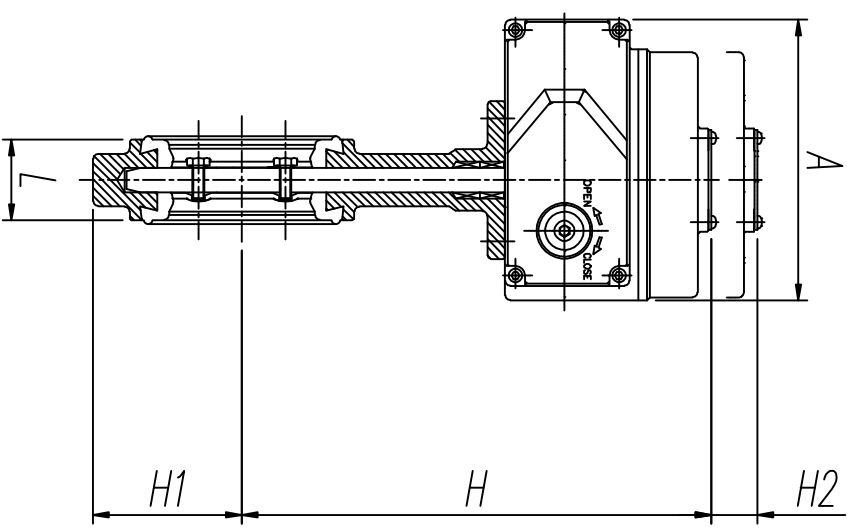
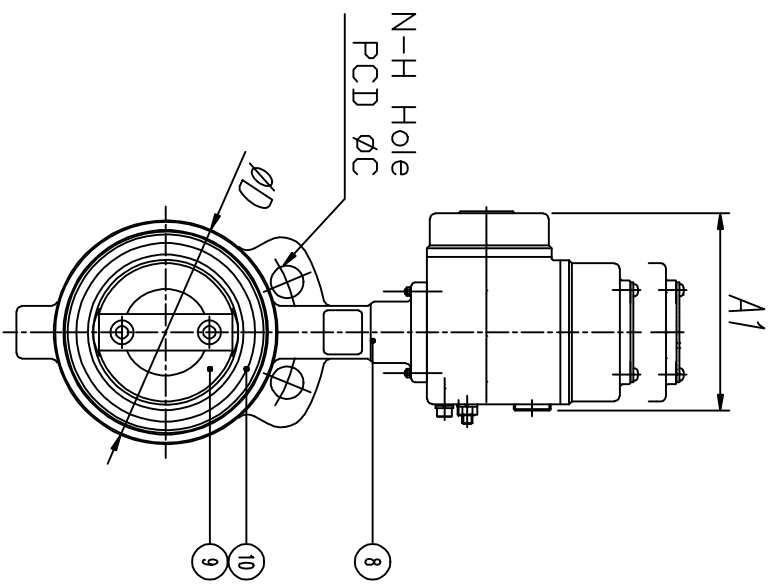
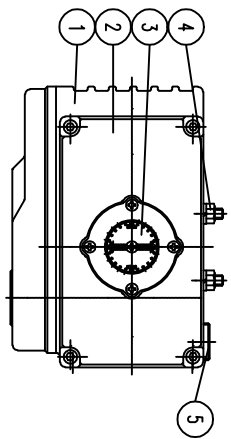


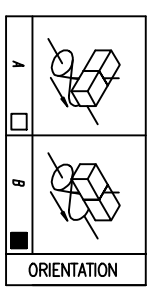
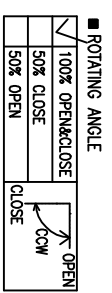
03-1

FOR APPROVAL



NO.	PART NAME	QTY	MATERIAL	REMARK
1	BODY	1	ADC12	
2	TOP COVER	1	ADC12	
3	WINDOW	1	PC	
4	STOPPER BOLTS	2	SUS316	M6*45
5	CONDUIT ENTRIES	2		M20*1.5
6	BASE	1	ADC12	
7	DRIVE BUSHING	1	ABC3	
8	VALVE-BODY	1	FC	
9	VALVE-DISC	1	SCS13	
10	VALVE-SEAT	1	EPDM	
11				
12				
13				
14				
15				

TAG NO.



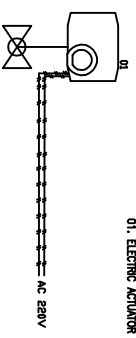
Rev.	Date	Description	Pre.d	Ch.e.d	App.d

Designed by _____ Checked by _____
 C.L. KM Approved by _____

ELECTRIC BUTTERFLY VALVE

Model	KTM0040-40BF ~ KTM0080-100BF	
Drawing no.	A110214-02-03	Size A4
Scale	N:S	Unit mm

INSTALLATION SCHEMATIC



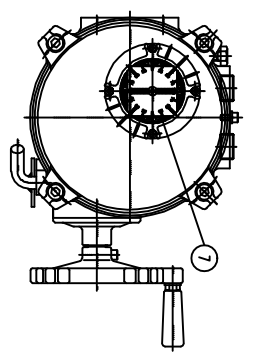
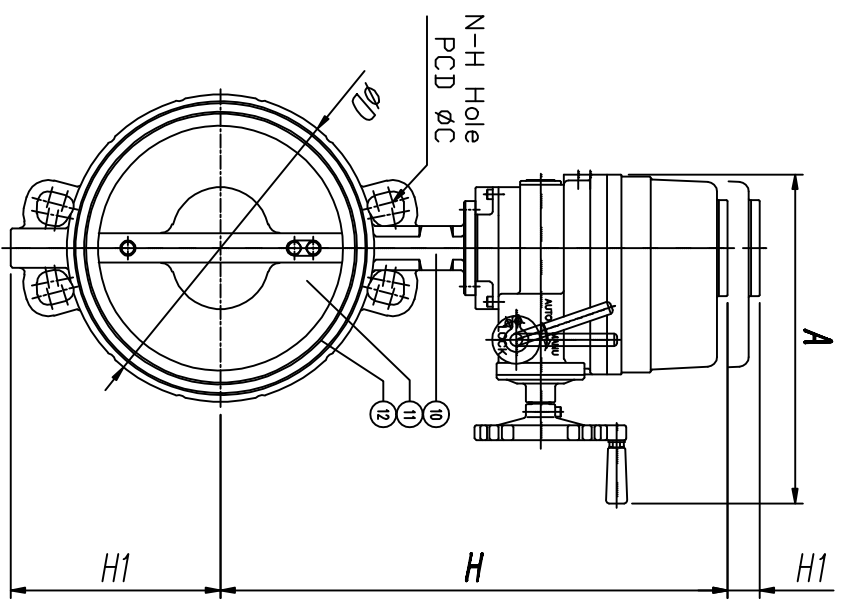
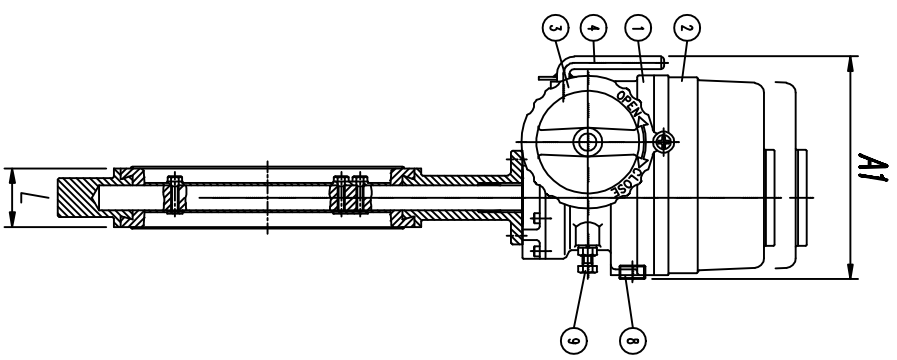
JIS 10K WAFER(mm)

DIMENSION	MODEL	QTY	MOTOR		H	H1	H2	Lx1.6	FLANGE		WANT-ENGE	(MIN WALL THICKNESS)	WEIGHT (APPROX.)
			A	A1					φD	φC			
	KTM0080-100BF	-	160	121	401	100	40	52	155	175	8-19	-	-
	KTM0080-80BF	-	160	121	346	85	40	46	129	150	8-19	-	-
	KTM0080-65BF	-	160	121	324	70	40	46	114	140	4-19	-	-
	KTM0040-50BF	-	113.5	121.8	412	65	-	43	105	120	4-19	-	-
	KTM0040-40BF	-	113.5	121.8	397	58	-	33	86	105	4-19	-	-



03-2

FOR APPROVAL

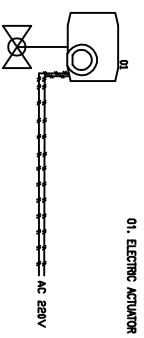


■ DIMENSION

MODEL	QTY	MOTOR		H	H1	H2	L±1.6	FLANGE		ØD	ØC	N-h Hole	Ø	WANT-ENGE	MIN WALL THICKNESS	WEIGHT (APPROX.)
		A	A1					ØD	ØC							
KTMO600-300BF	-	244	357	905	210	145	78	377	400	16-25	-	-	-	-	-	-
KTMO500-250BF	-	244	357	850	200	145	68	331	355	12-25	-	-	-	-	-	-
KTMO240-200BF	-	229	338	736	165	140	60	260	290	12-23	-	-	-	-	-	-
KTMO160-150BF	-	229	338	624	130	140	56	207	240	8-23	-	-	-	-	-	-
KTMO100-125BF	-	258	172	558	110	125	56	180	210	8-23	-	-	-	-	-	-

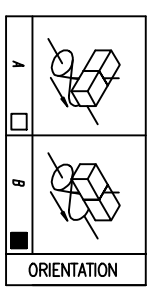
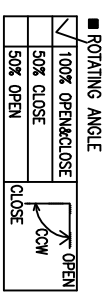
JIS 10K WATER(mm)

■ INSTALLATION SCHEMATIC



NO.	PART NAME	QTY	MATERIAL	REMARK
1	BODY	1	AC2B	AC4C
2	TOP COVER	1	AC2B	AC4C
3	HANDLE	1	AC2B	
4	LEVER	1	SM45C	SUN24L
5	BASE	1	GC250	
6	DRIVE BUSHING	1	SM45C	
7	INDICATOR	1	PC	
8	CONDUIT ENTRIES	2		FC3/4*
9	STOPPER BOLTS	2	SUS316	M10*55
10	VALVE-BODY	1	FC	
11	VALVE-DISC	1	SCS13	
12	VALVE-SEAT	1	EPDM	
13				
14				
15				

TAG NO.



Rev.	Date	Description	Pre.d	Che.d	App.d
Designed by		Checked by		Approved by	
CL:MM					

ELECTRIC BUTTERFLY VALVE

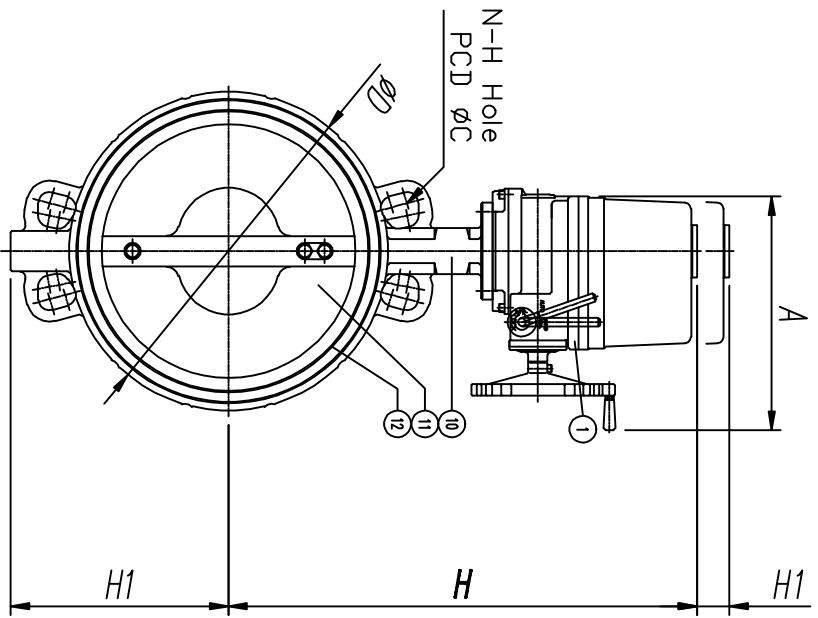
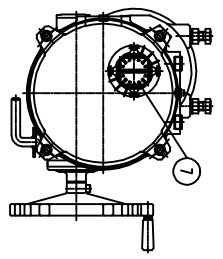
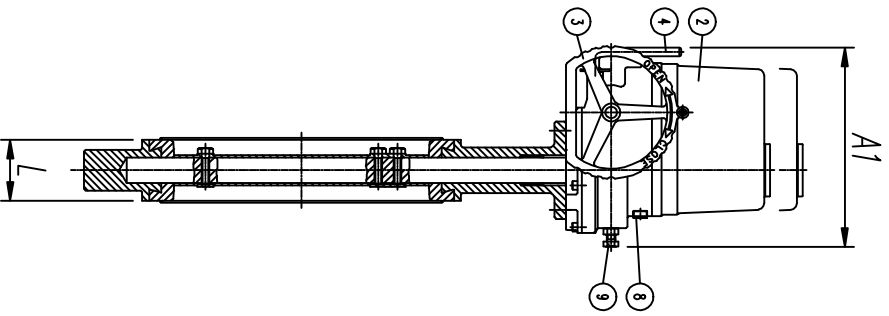
Model KTMO100-125BF ~ KTMO600-300BF

Drawing no.	Size	Scale	Unit
A110214-02-03	A4	N:S	mm



03-3

FOR APPROVAL

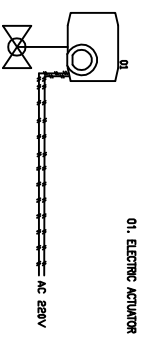


■ DIMENSION

MODEL	QTY	MOTOR	A	A1	H	H1	H2	L±1.6	FLANGE	FLANGE	FLANGE	WANT-ENGE	(MIN WALL THICKNESS)	WEIGHT (APPROX.)
KTMA3000-600BF	-	375	440	1640	493	225	154	695	730	24-33	-	-	-	-
KTM2000-500BF	-	375	440	1490	421	225	127	590	620	20-27	-	-	-	-
KTM1500-450BF	-	375	440	1350	366	225	114	535	565	20-27	-	-	-	-
KTM1100-400BF	-	284	380	1080	243	170	102	475	510	16-27	-	-	-	-
KTM0800-350BF	-	284	380	968	225	170	78	416	445	16-25	-	-	-	-

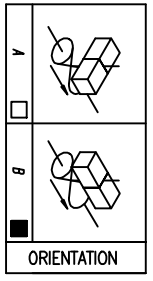
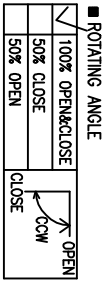
JIS 10K WATER(mm)

■ INSTALLATION SCHEMATIC



NO.	PART NAME	QTY	MATERIAL	REMARK
1	BODY	1	AC2B	AC4C
2	TOP COVER	1	AC2B	AC4C
3	HANDLE	1	AC2B	
4	LEVER	1	SM45C	SUM24L
5	BASE	1	GC250	
6	DRIVE BUSHING	1	SM45C	
7	INDICATOR	1	PC	
8	CONDUIT ENTRIES	2		PF3/4*
9	STOPPER BOLTS	2	SUS316	M16*80
10	VALVE-BODY	1	FC	
11	VALVE-DISC	1	SCS13	
12	VALVE-SEAT	1	EPDM	
13				
14				
15				

TAG NO.



Rev.	Date	Description	Pre.d	Ch'e.d	App.d

Designed by _____ Checked by _____ Approved by _____

CL, KM

ELECTRIC BUTTERFLY VALVE

Model KTM0800-350BF ~ KTM3000-600BF

Drawing no. A110214-02-03

Size A4

Scale N:S

Unit mm

