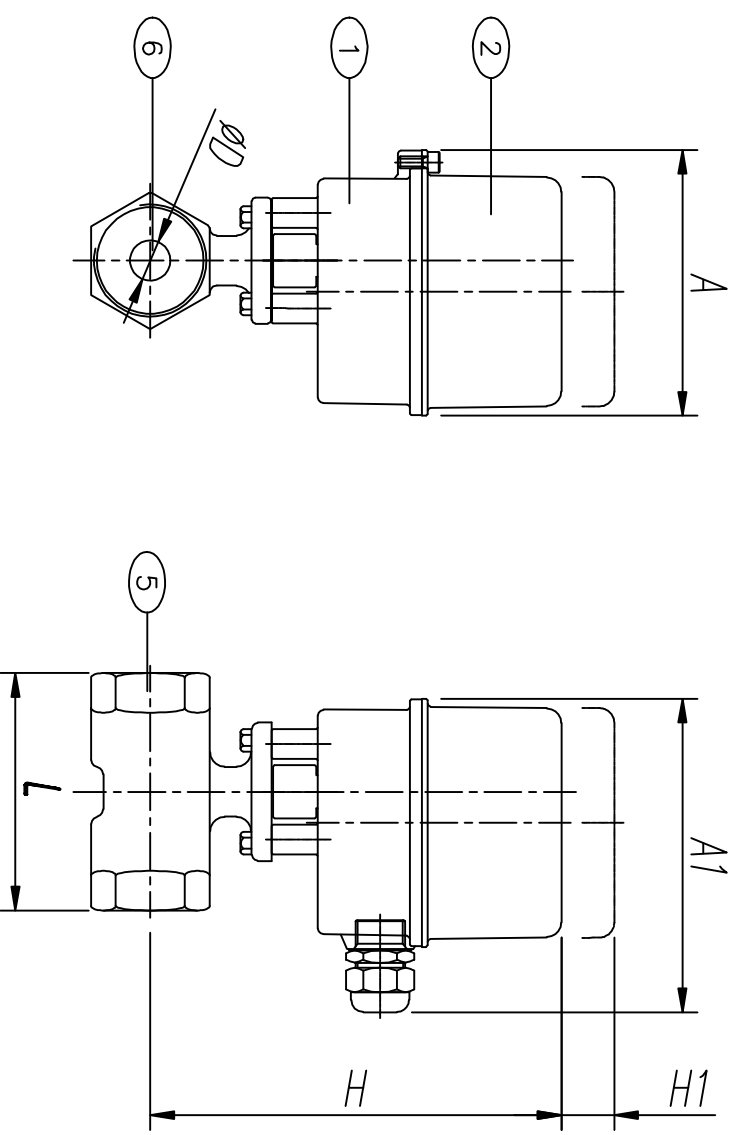
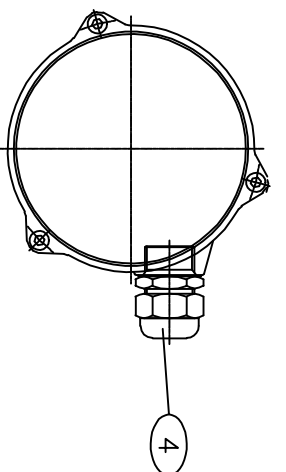


01

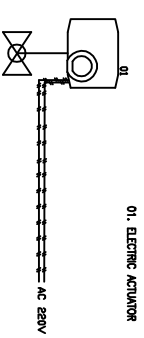
FOR APPROVAL



■ DIMANSSION (mm)

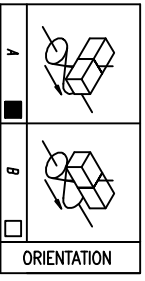
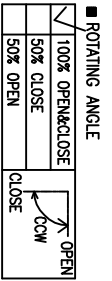
MODEL	QTY	MOTOR	H (APPROX.)	H1	L±1.6	END CONNECTION
KTQ0040-50S1	-	113.5	121.8	190	-	100
KTQ0040-40S1	-	113.5	121.8	179	-	82
KTQ0020-32S1	-	Ø89.4	109.7	143	50	78
KTQ0020-25S1	-	Ø89.4	109.7	139	50	71
KTQ0020-20S1	-	Ø89.4	109.7	136	50	59
KTQ0020-15S1	-	Ø89.4	109.7	130	50	56.5
KTQ0020-10S1	-	Ø89.4	109.7	125	50	45

■ INSTALLATION SCHEMATIC



NO.	PART NAME	QTY	MATERIAL	REMARK
1	BODY	1	A0CC12	
2	TOP COVER	1	A0CC12	
3	DRIVE SHAFT	1	SM45C	
4	CONDUIT ENTRIES	1		
5	VALVE-BODY	1	SUS316	
6	VALVE-BALL	1	SUS316	
7	VALVE-SEAT	1	PTFE	
8				
9				
10				
11				
12				
13				
14				
15				

TAG NO.



Rev.	Date	Description	Pre'd	Che'd	App'd

Designed by: \_\_\_\_\_  
Checked by: \_\_\_\_\_  
Approved by: \_\_\_\_\_

Title ELECTRIC MOTOR ACTUATOR  
1 PIECE BALL VALVE

Model KTQ0020-10S1 ~ KTQ0040-50S1  
Drawing no. A110214-01-01  
Size A4  
Scale N:S  
Unit mm

