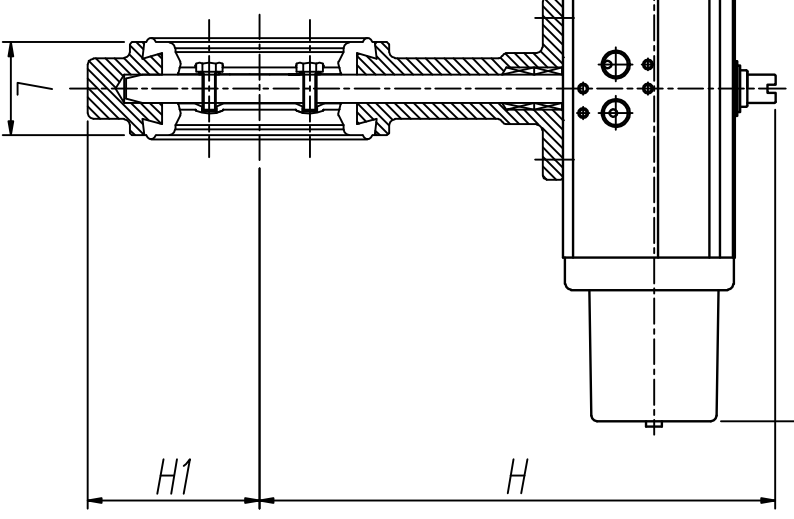
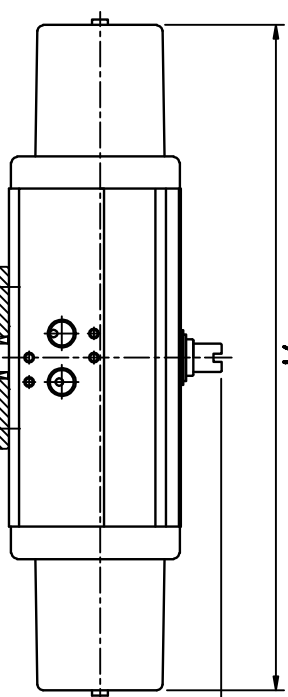
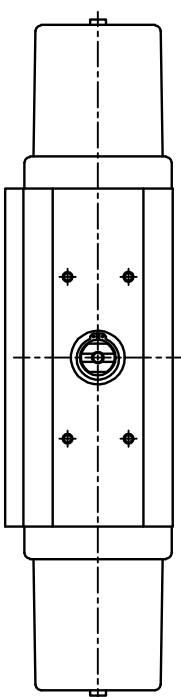
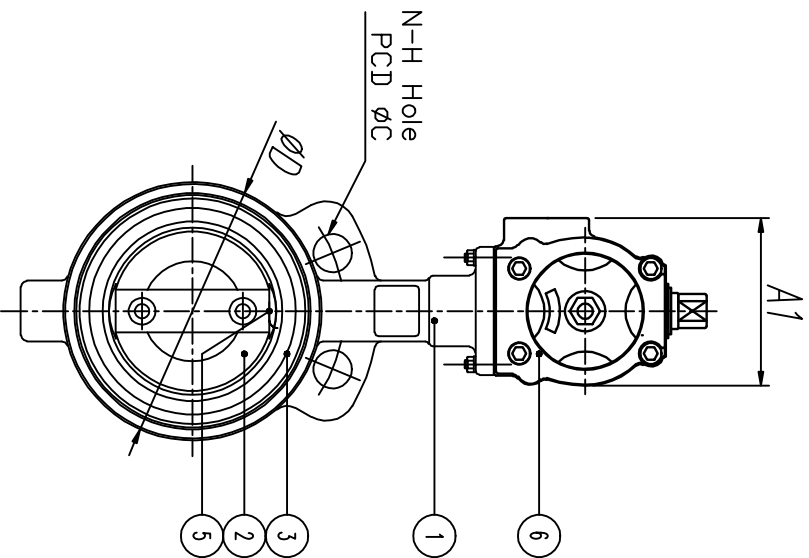


08-1

FOR APPROVAL

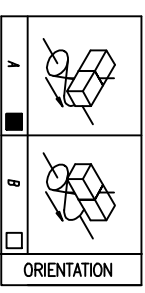


NO.	PART NAME	QTY	MATERIAL	REMARK
1	BODY	1	FC	
2	DISC	1	SCS13	
3	SEAT	1	EPDM	
4	STEM	1	SUS304	
5	DISC TYPE	1	NONE BOLT	
6	ACTUATOR	1	TS	KOREANV
7				
8				
9				
10				
11				
12				
13				
14				
15				

TAG NO.

■ ROTATING ANGLE

<input checked="" type="checkbox"/>	100% OPEN&CLOSE	<input type="checkbox"/>	OPEN
<input type="checkbox"/>	50% CLOSE	<input type="checkbox"/>	CCW
<input type="checkbox"/>	50% OPEN	<input type="checkbox"/>	CLOCK



Rev.	Date	Description	Pre.d	Che.d	App.d

Designed by _____ Checked by _____
 C.L. KM Approved by _____

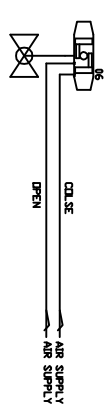
BUTTERFLY VALVE

Model TS50-40BF ~ TS80-125BF

Drawing no. A110214-02-08 Size A4 Scale N:S Unit mm



■ INSTALLATION SCHEMATIC



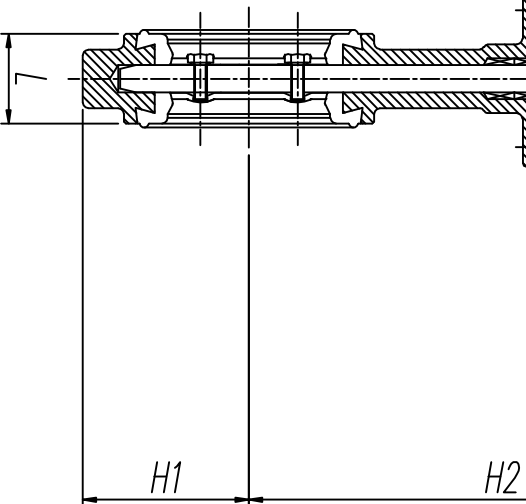
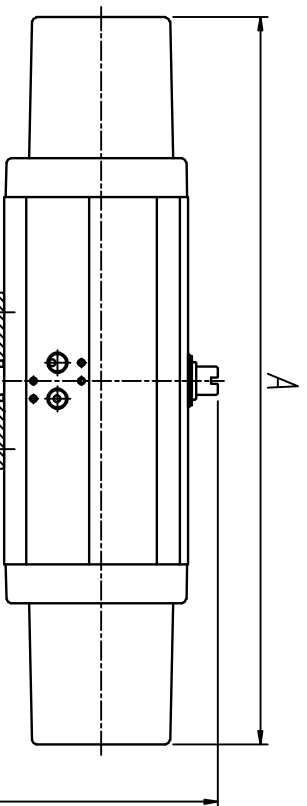
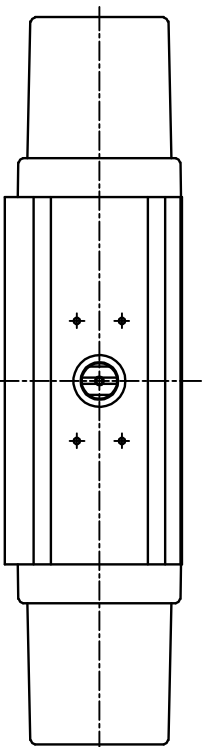
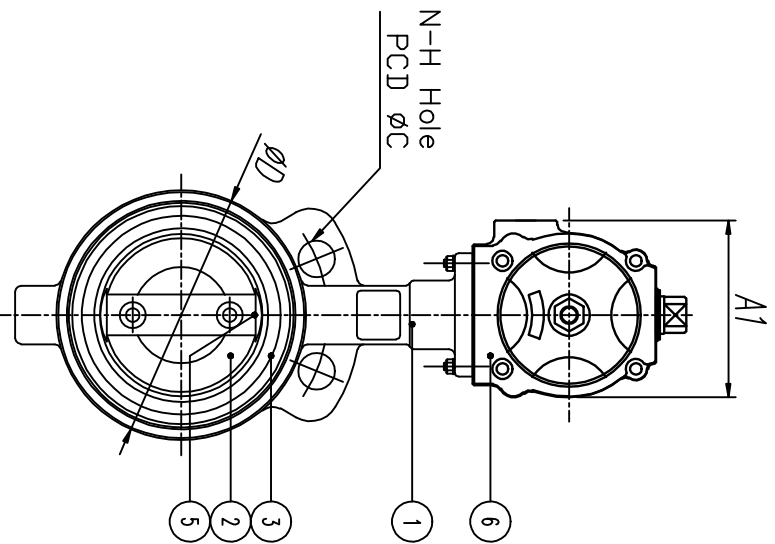
JIS 10K WATER(mm)

■ DIMENSION

MODEL	QTY	ACTUATOR	H	H1	L±1.6	END CONNECTION	(Min. WALL THICKNESS)	WEIGHT (APPROX.)			
TS80-125BF	-	386	99	312	110	56	180	210	8-23	-	-
TS80-100BF	-	386	99	285	100	52	155	175	8-19	-	-
TS65-80BF	-	329	83	255	85	46	129	150	8-19	-	-
TS65-65BF	-	329	83	239	70	46	114	140	4-19	-	-
TS50-50BF	-	288	73	218	65	43	105	120	4-19	-	-
TS50-40BF	-	288	73	199	58	41	86	105	4-19	-	-

08-2

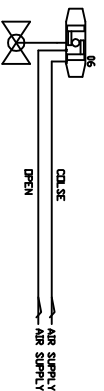
FOR APPROVAL



JIS 10K WATER(mm)

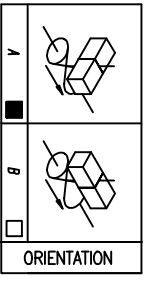
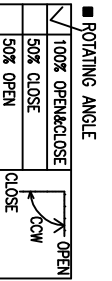
MODEL	QTY	ACTUATOR		H	H1	L.F.1.6	END CONNECTION			+ (Min. WALL THICKNESS)	WEIGHT (APPROX.)
		A	A1				D	C	N-H		
TS160-450BF	-	790	178	989	366	114	535	510	20-27	-	-
TS160-400BF	-	790	178	929	243	102	475	510	16-27	-	-
TS160-350BF	-	790	178	812	225	78	416	445	16-25	-	-
TS140-300BF	-	700	158	500	210	78	377	400	16-25	-	-
TS125-250BF	-	597	136	465	200	68	331	355	12-25	-	-
TS100-200BF	-	480	118	406	165	60	280	290	12-23	-	-
TS100-150BF	-	480	118	334	130	56	207	240	8-23	-	-

INSTALLATION SCHEMATIC



NO.	PART NAME	QTY	MATERIAL	REMARK
1	BODY	1	FC	
2	DISC	1	SCS13	
3	SEAT	1	EPDM	
4	STEM	1	SUS304	
5	DISC TYPE	1	NONE BOLT	
6	ACTUATOR	1	TS	KOREANV
7				
8				
9				
10				
11				
12				
13				
14				
15				

TAG NO.



Rev.	Date	Description	Pre.d	Che.d	App.d

Title
BUTTERFLY VALVE

Model
TS100-150BF ~ TS160-450BF

Drawing no.
A110214-02-07

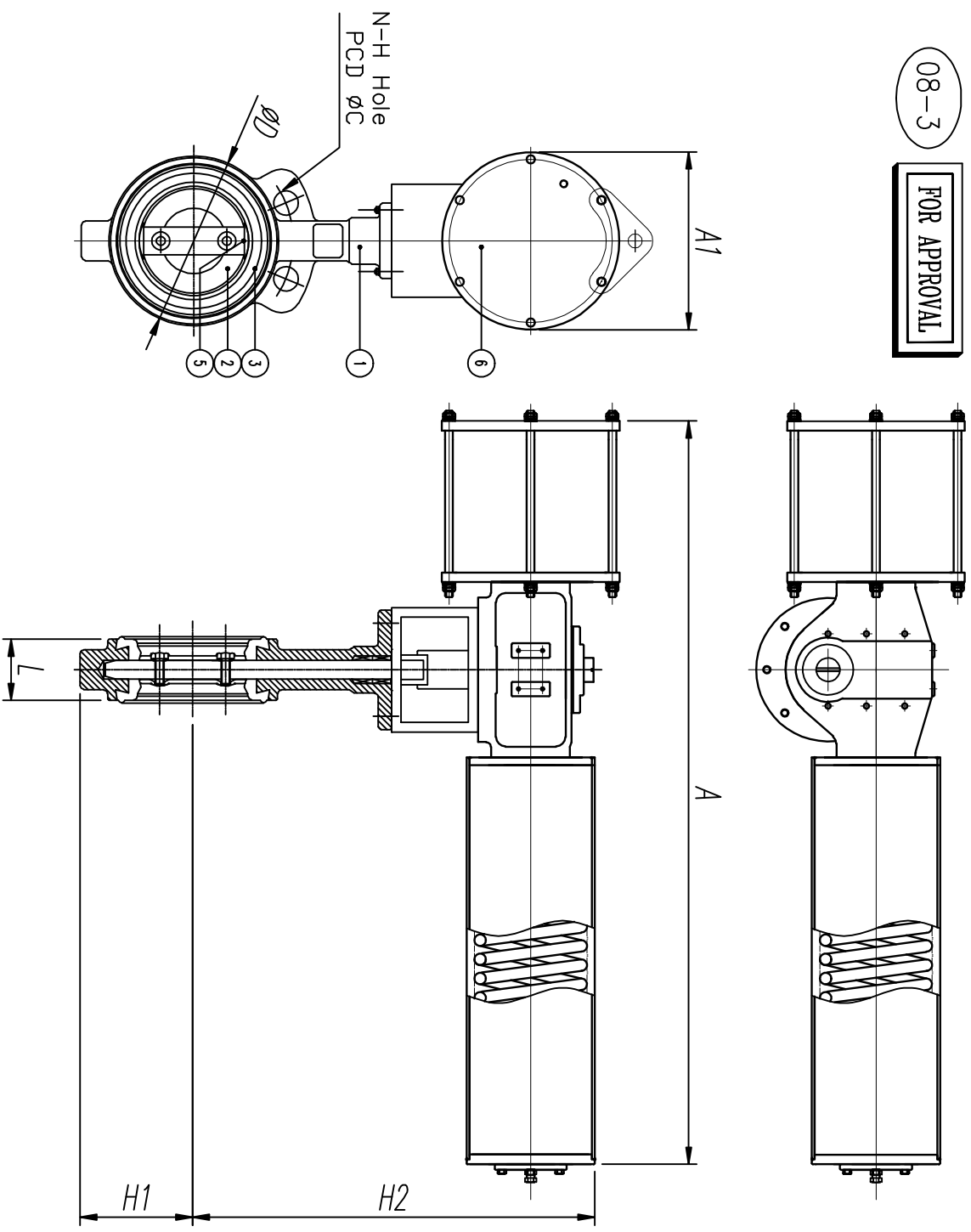
Size
A4

Scale
N:S

Unit
mm



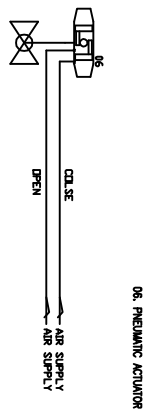
08-3
FOR APPROVAL



■ DIMENSION

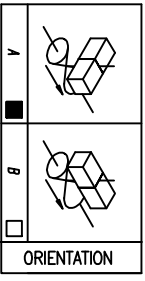
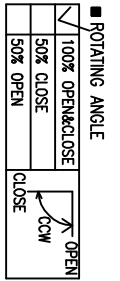
MODEL	QTY	ACTUATOR	H	H1	L:1.6	END CONNECTION			+ (Min WALL THICKNESS)	WEIGHT (APPROX.)
						D	C	N-H		
TS250D-600BF	-	864	325	1280	493	154	695	730	24-33	-
TS250D-500BF	-	864	325	1123	421	127	590	620	20-27	-

■ INSTALLATION SCHEMATIC



NO.	PART NAME	QTY	MATERIAL	REMARK
1	BODY	1	FC	
2	DISC	1	SCS13	
3	SEAT	1	EPDM	
4	STEM	1	SUS304	
5	DISC TYPE	1	NONE BOLT	
6	ACTUATOR	1	TS250D,TS300D	KOREANV
7				
8				
9				
10				
11				
12				
13				
14				
15				

TAG NO.



Rev.	Date	Description	Pre.d	Che.d	App.d
Designed by		Checked by		Approved by	
CL.MM					

BUTTERFLY VALVE

Model TS250D-500BF ~ TS250D-600BF

Drawing no. A110214-02-07

Size A4

Scale N:S

Unit mm

