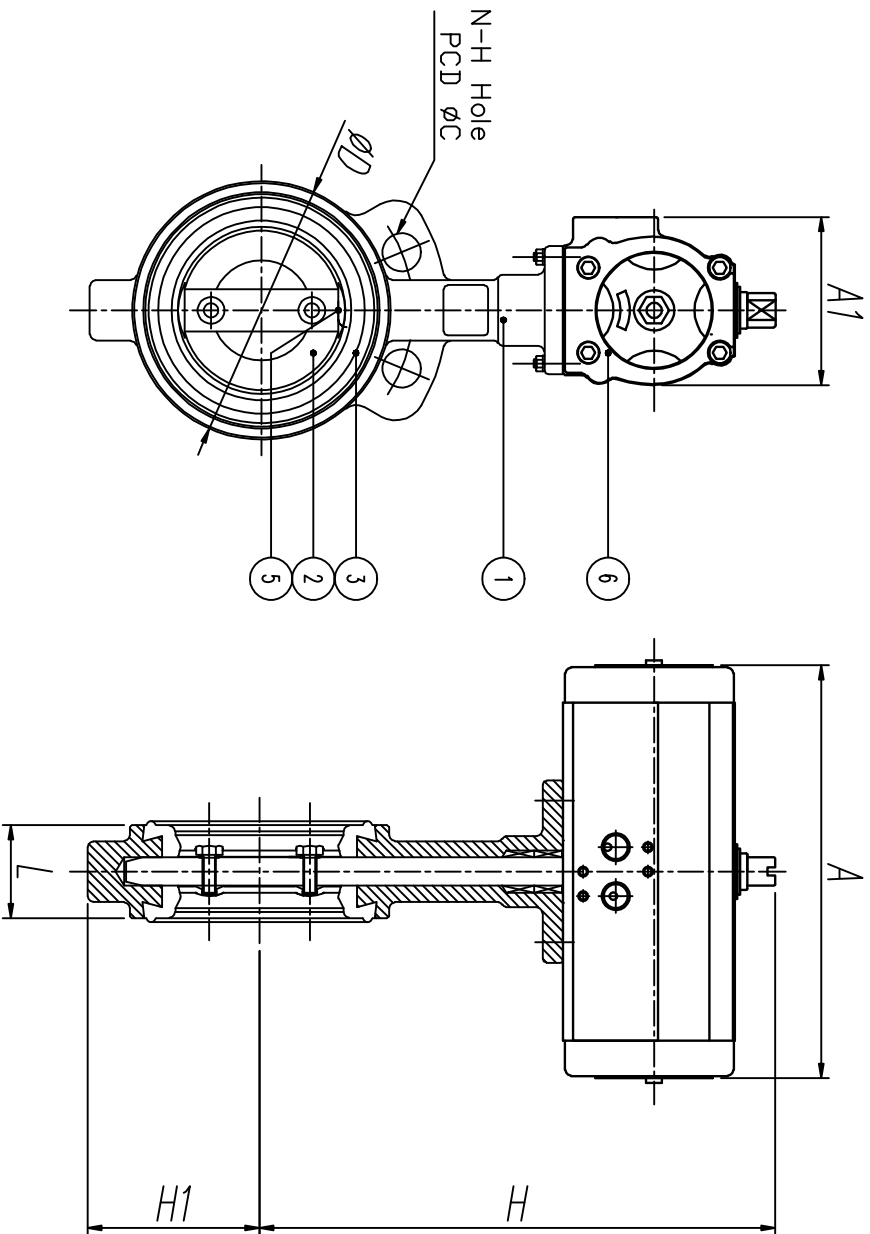


07-1

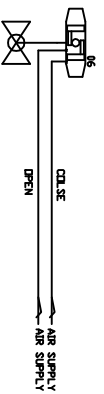
FOR APPROVAL



■ DIMANSION

| MODEL      | QTY | ACTUATOR |    | H   | H1  | L.F.1.6 | END CONNECTION |     |      | JIS 10K WATER(mm) | +<br>(Min. WALL THICKNESS) | WEIGHT (APPROX.) |
|------------|-----|----------|----|-----|-----|---------|----------------|-----|------|-------------------|----------------------------|------------------|
|            |     | A        | A1 |     |     |         | D              | C   | N-H  |                   |                            |                  |
| TD65-100BF | -   | 204      | 83 | 269 | 100 | 52      | 155            | 175 | 8-19 | -                 | -                          |                  |
| TD65-80BF  | -   | 204      | 83 | 255 | 85  | 46      | 129            | 150 | 8-19 | -                 | -                          |                  |
| TD50-65BF  | -   | 162      | 73 | 224 | 70  | 46      | 114            | 140 | 4-19 | -                 | -                          |                  |
| TD50-50BF  | -   | 162      | 73 | 214 | 65  | 43      | 105            | 120 | 4-19 | -                 | -                          |                  |
| TD50-40BF  | -   | 162      | 73 | 195 | 58  | 41      | 86             | 105 | 4-19 | -                 | -                          |                  |

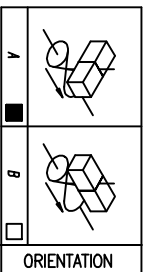
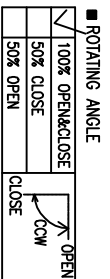
■ INSTALLATION SCHEMATIC



OR PNEUMATIC ACTUATOR

| NO. | PART NAME | QTY | MATERIAL  | REMARK  |
|-----|-----------|-----|-----------|---------|
| 1   | BODY      | 1   | FC        |         |
| 2   | DISC      | 1   | SCS13     |         |
| 3   | SEAT      | 1   | EPDM      |         |
| 4   | STEM      | 1   | SUS304    |         |
| 5   | DISC TYPE | 1   | NONE BOLT |         |
| 6   | ACTUATOR  | 1   | TD        | KOREANV |
| 7   |           |     |           |         |
| 8   |           |     |           |         |
| 9   |           |     |           |         |
| 10  |           |     |           |         |
| 11  |           |     |           |         |
| 12  |           |     |           |         |
| 13  |           |     |           |         |
| 14  |           |     |           |         |
| 15  |           |     |           |         |

TAG NO.



| Rev. | Date | Description | Pre'd | Che'd | App'd |
|------|------|-------------|-------|-------|-------|
|      |      |             |       |       |       |
|      |      |             |       |       |       |

Designed by \_\_\_\_\_ Checked by \_\_\_\_\_ Approved by \_\_\_\_\_

CL. KM

BUTTERFLY VALVE

Model

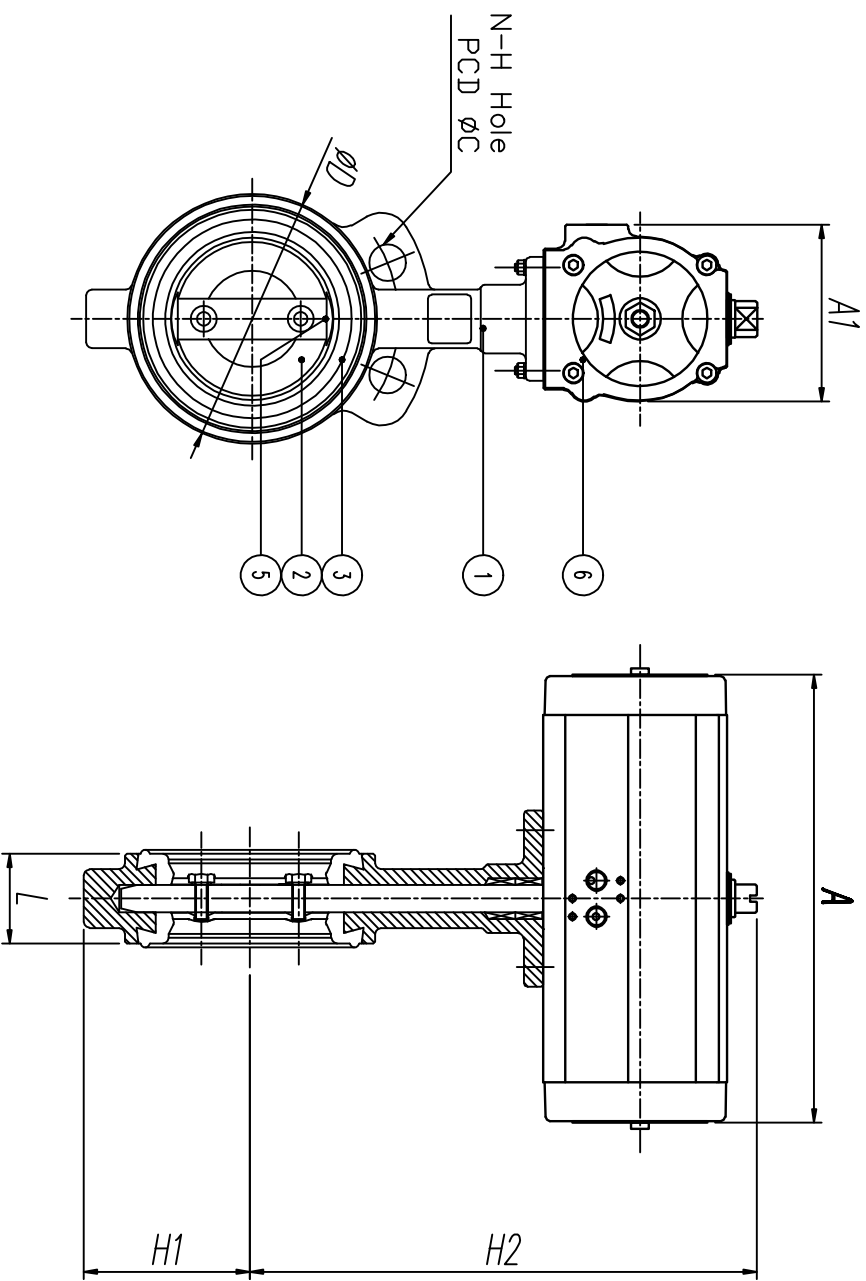
TD50-40BF ~ TD65-100BF

|               |      |       |      |
|---------------|------|-------|------|
| Drawing no.   | Size | Scale | Unit |
| A110214-02-07 | A4   | N:S   | mm   |



07-2

FOR APPROVAL

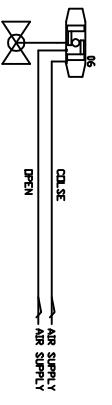


■ DIMENSION

| MODEL       | QTY | ACTUATOR | H   | H1  | L±1.6 | END CONNECTION |     |       | (Min. WALL THICKNESS) | WEIGHT (APPROX.) |
|-------------|-----|----------|-----|-----|-------|----------------|-----|-------|-----------------------|------------------|
|             | A   | A1       |     |     |       | D              | C   | N-H   | +                     |                  |
| TD125-300BF | -   | 414      | 136 | 500 | 78    | 377            | 400 | 16-25 | -                     | -                |
| TD100-250BF | -   | 296      | 118 | 426 | 68    | 331            | 355 | 12-25 | -                     | -                |
| TD100-200BF | -   | 296      | 118 | 404 | 60    | 280            | 290 | 12-23 | -                     | -                |
| TD80-150BF  | -   | 246      | 99  | 311 | 56    | 207            | 240 | 8-23  | -                     | -                |
| TD80-125BF  | -   | 246      | 99  | 297 | 56    | 180            | 210 | 8-23  | -                     | -                |

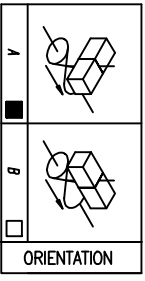
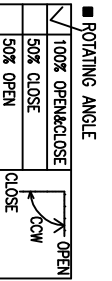
JIS 10K WATER(mm)

■ INSTALLATION SCHEMATIC



| NO. | PART NAME | QTY | MATERIAL  | REMARK  |
|-----|-----------|-----|-----------|---------|
| 1   | BODY      | 1   | FC        |         |
| 2   | DISC      | 1   | SCS13     |         |
| 3   | SEAT      | 1   | EPDM      |         |
| 4   | STEM      | 1   | SUS304    |         |
| 5   | DISC TYPE | 1   | NONE BOLT |         |
| 6   | ACTUATOR  | 1   | TD        | KOREANV |
| 7   |           |     |           |         |
| 8   |           |     |           |         |
| 9   |           |     |           |         |
| 10  |           |     |           |         |
| 11  |           |     |           |         |
| 12  |           |     |           |         |
| 13  |           |     |           |         |
| 14  |           |     |           |         |
| 15  |           |     |           |         |

TAG NO.



| Rev. | Date | Description | Pre.d | Che.d | App.d |
|------|------|-------------|-------|-------|-------|
|      |      |             |       |       |       |
|      |      |             |       |       |       |

Designed by

Checked by

Approved by

CL, KM

BUTTERFLY VALVE

Model TD80-125BF ~ TD125-300BF

Drawing no. A110214-02-07

Size A4

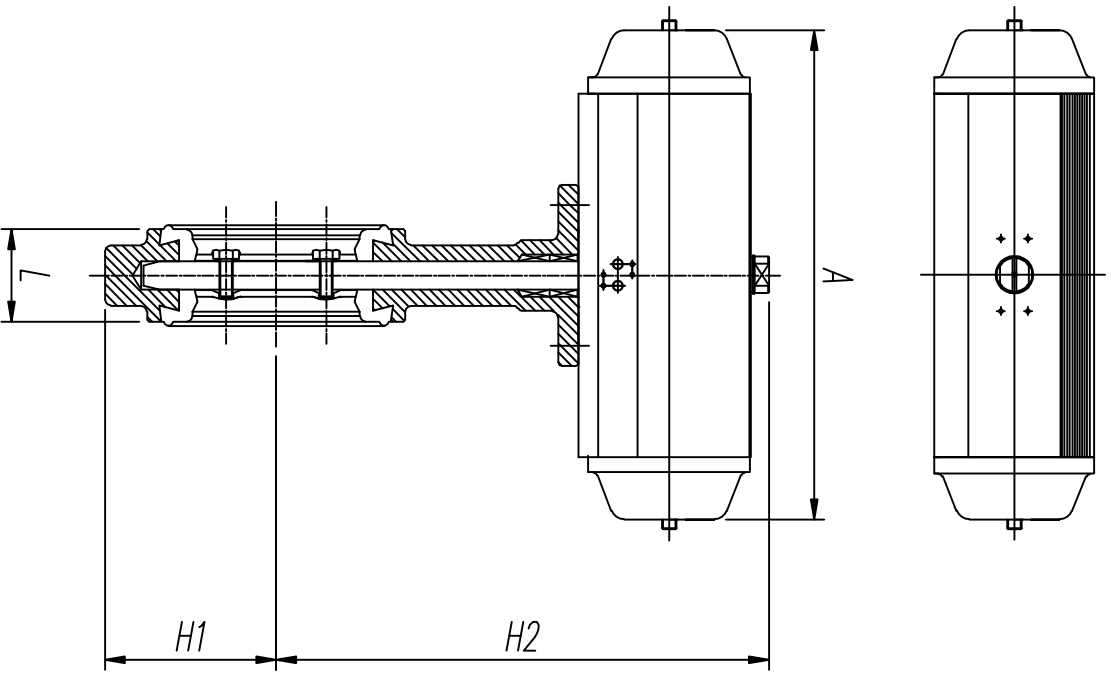
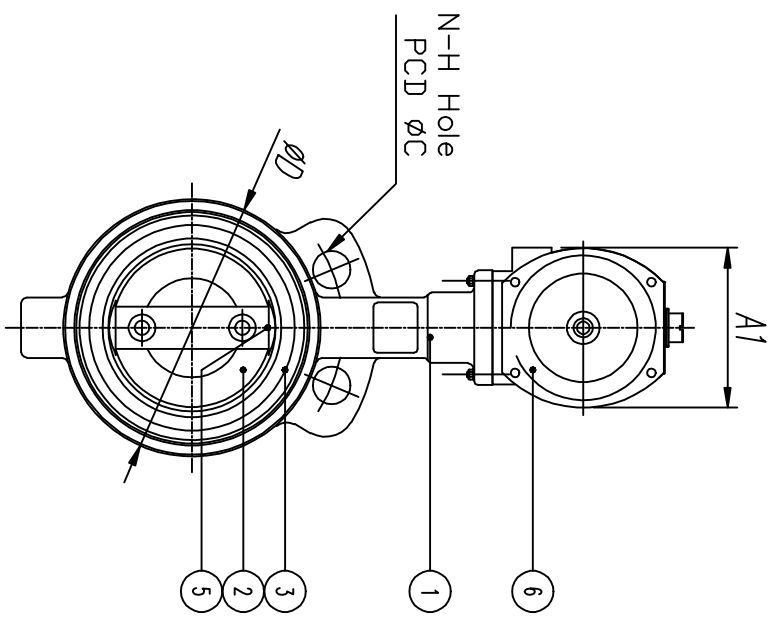
Scale N:S

Unit mm



07-3

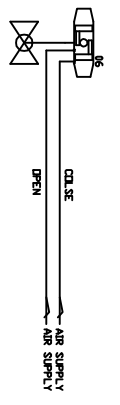
FOR APPROVAL



■ DIMENSION

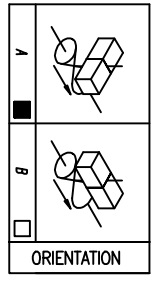
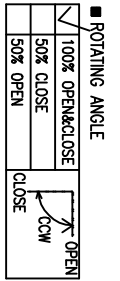
| MODEL       | QTY | ACTUATOR |     | H    | H1  | L±1.6 | END CONNECTION |     |       | JIS 10K WATER(mm) | +<br>(Min. WALL THICKNESS) | WEIGHT (APPROX.) |
|-------------|-----|----------|-----|------|-----|-------|----------------|-----|-------|-------------------|----------------------------|------------------|
|             |     | A        | A1  |      |     |       | D              | C   | N-H   |                   |                            |                  |
| TD200-600BF | -   | 640      | 230 | 1280 | 493 | 154   | 695            | 730 | 24-33 | -                 | -                          |                  |
| TD200-500BF | -   | 640      | 230 | 1123 | 421 | 127   | 590            | 620 | 20-27 | -                 | -                          |                  |
| TD160-450BF | -   | 540      | 178 | 989  | 366 | 114   | 535            | 565 | 20-27 | -                 | -                          |                  |
| TD160-400BF | -   | 540      | 178 | 929  | 243 | 102   | 475            | 510 | 16-27 | -                 | -                          |                  |
| TD140-350BF | -   | 456      | 158 | 770  | 225 | 78    | 416            | 445 | 16-25 | -                 | -                          |                  |

■ INSTALLATION SCHEMATIC



| NO. | PART NAME | QTY | MATERIAL  | REMARK  |
|-----|-----------|-----|-----------|---------|
| 1   | BODY      | 1   | FC        |         |
| 2   | DISC      | 1   | SCS13     |         |
| 3   | SEAT      | 1   | EPDM      |         |
| 4   | STEM      | 1   | SUS304    |         |
| 5   | DISC TYPE | 1   | NONE BOLT |         |
| 6   | ACTUATOR  | 1   | TD        | KOREANV |
| 7   |           |     |           |         |
| 8   |           |     |           |         |
| 9   |           |     |           |         |
| 10  |           |     |           |         |
| 11  |           |     |           |         |
| 12  |           |     |           |         |
| 13  |           |     |           |         |
| 14  |           |     |           |         |
| 15  |           |     |           |         |

TAG NO.



| Rev. | Date | Description | Pre.d | Ch.e.d | App.d |
|------|------|-------------|-------|--------|-------|
|      |      |             |       |        |       |
|      |      |             |       |        |       |

Designed by \_\_\_\_\_ Checked by \_\_\_\_\_  
 C.L. KM

BUTTERFLY VALVE

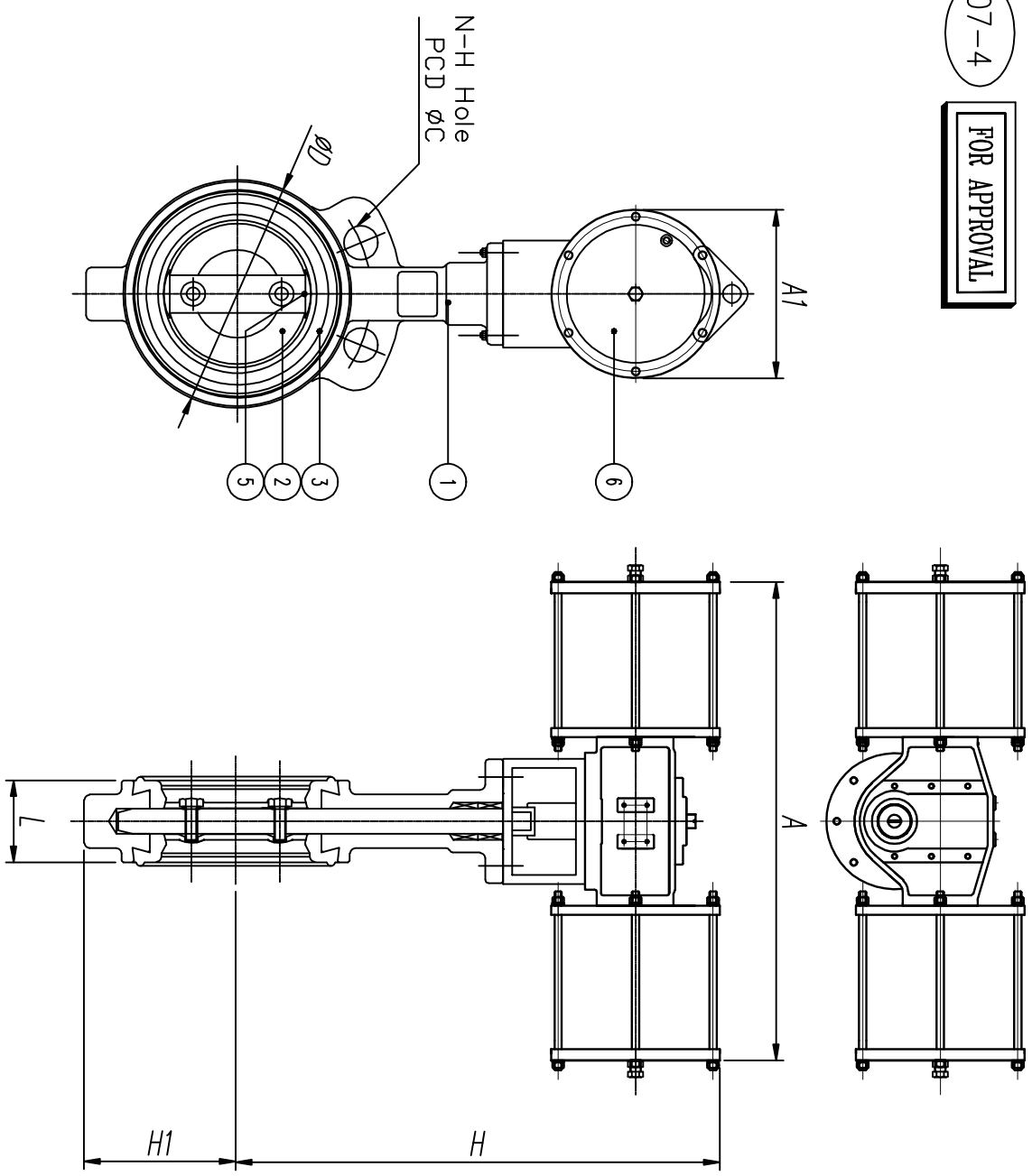
Model TD140-350BF ~ TD200-600BF

|               |      |       |      |
|---------------|------|-------|------|
| Drawing no.   | Size | Scale | Unit |
| A110214-02-07 | A4   | N:S   | mm   |

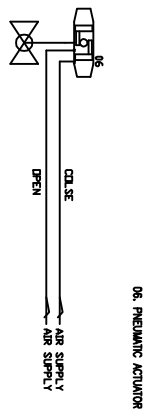


07-4

FOR APPROVAL



■ INSTALLATION SCHEMATIC

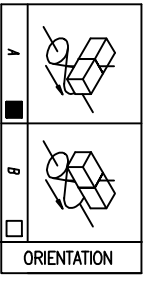
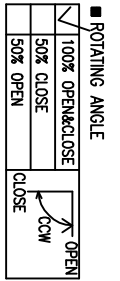


JIS 10K WATER(mm)

| DIMANSION | TD300D-1000BF |     | TD250D-800BF |     | H    | H1  | L±1.6 | END CONNECTION |     |      | + (Min WALL THICKNESS) | - (Min WALL THICKNESS) | WEIGHT (APPROX.) |   |
|-----------|---------------|-----|--------------|-----|------|-----|-------|----------------|-----|------|------------------------|------------------------|------------------|---|
|           | 1050          | 370 | 864          | 325 |      |     |       | 2007           | 790 | 200  |                        |                        |                  | D |
|           |               |     |              |     | 1674 | 630 | 190   | 1125           | 920 | 1160 | 28-39                  |                        |                  |   |

| NO. | PART NAME | QTY | MATERIAL      | REMARK  |
|-----|-----------|-----|---------------|---------|
| 1   | BODY      | 1   | FC            |         |
| 2   | DISC      | 1   | SCS13         |         |
| 3   | SEAT      | 1   | EPDM          |         |
| 4   | STEM      | 1   | SUS304        |         |
| 5   | DISC TYPE | 1   | NONE BOLT     |         |
| 6   | ACTUATOR  | 1   | TD250D,TD300D | KOREANV |
| 7   |           |     |               |         |
| 8   |           |     |               |         |
| 9   |           |     |               |         |
| 10  |           |     |               |         |
| 11  |           |     |               |         |
| 12  |           |     |               |         |
| 13  |           |     |               |         |
| 14  |           |     |               |         |
| 15  |           |     |               |         |

TAG NO.



| Rev. | Date | Description | Pre.d | Che.d | App.d |
|------|------|-------------|-------|-------|-------|
|      |      |             |       |       |       |
|      |      |             |       |       |       |

Designed by \_\_\_\_\_ Checked by \_\_\_\_\_  
 C.L. KM \_\_\_\_\_ Approved by \_\_\_\_\_

BUTTERFLY VALVE

Model TD140-350BF ~ TD200-600BF

Drawing no. A110214-02-07 Size A4 Scale N:S Unit mm

