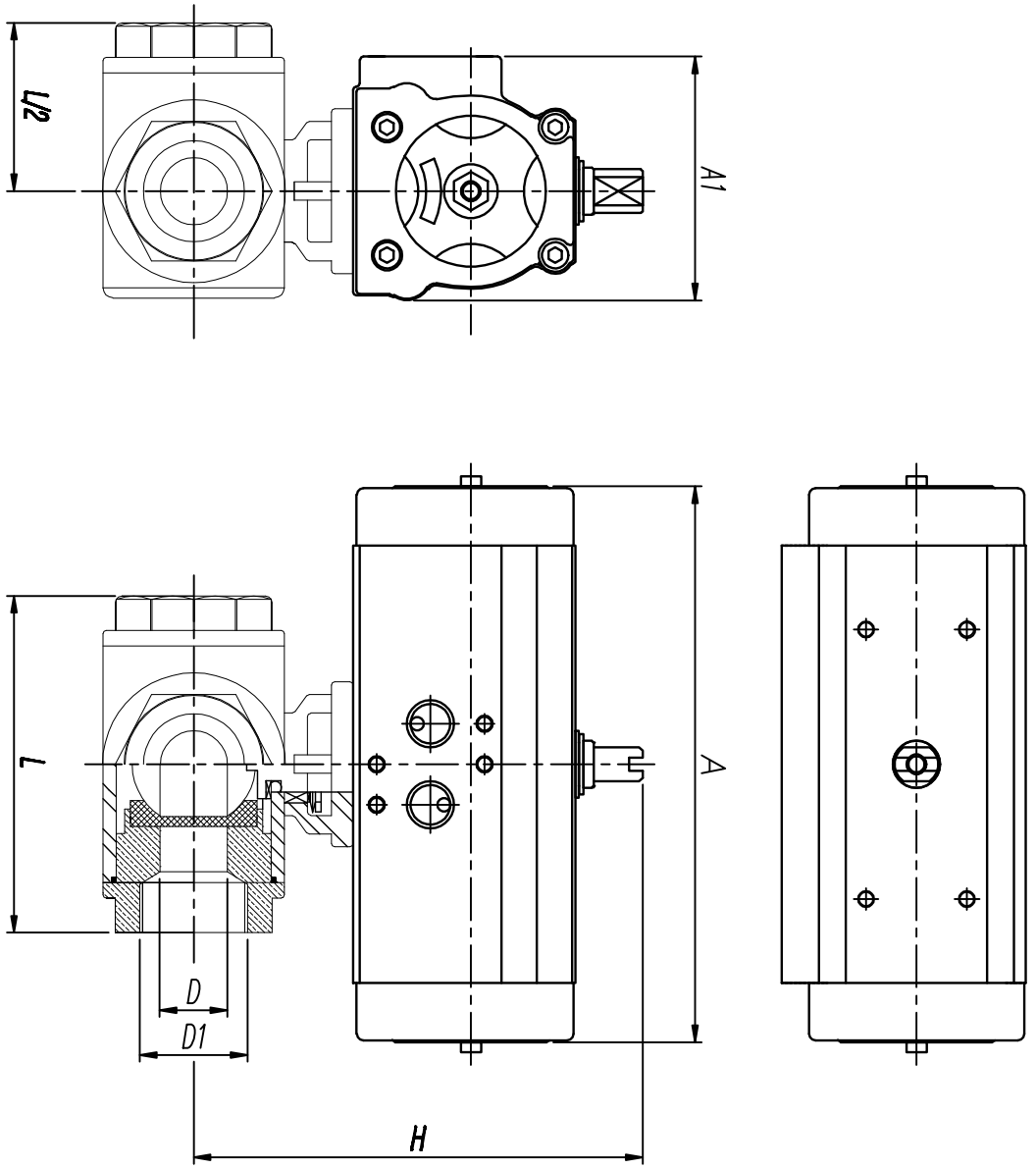


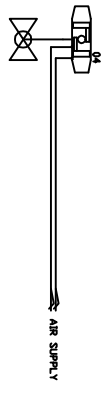
10



(mm)

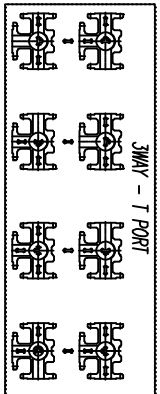
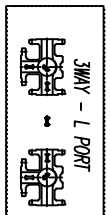
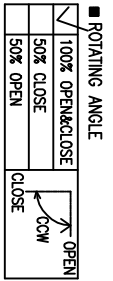
MODEL	QTY	ACTUATOR		H (APPROX.)	Lx1.6	END CONNECTION		Q (WANT-ENGE)	+ (Min. WAL THICKNESS)	WEIGHT (APPROX.)
		A	A1			D	D1			
TD65-50S3W	-	204	83	219	170.6	40	2"PT	-	-	-
TD65-40S3W	-	204	83	200	142.2	32	1-1/2"PT	-	-	-
TD50-32S3W	-	162	73	176	123	25	1-1/4"PT	-	-	-
TD50-25S3W	-	162	73	160	100	20	1"PT	-	-	-
TD50-20S3W	-	162	73	152	87.5	15	3/4"PT	-	-	-
TD40-15S3W	-	102	60	144	80	12.7	1/2"PT	-	-	-
TD40-10S3W	-	102	60	131	80	12	3/8"PT	-	-	-

■ INSTALLATION SCHEMATIC



NO.	PART NAME	QTY	MATERIAL	REMARK
1	BODY	1	SUS316	
2	BALL	1	SUS316	
3	BACK SEAT	1	PTFE	
4	ACTUATOR	1	TD	KOREAW
5				
6				
7				
8				
9				
10				
11				
12				
13				
14				
15				

TAG NO.



Rev.	Date	Description	Pre.d	Che.d	App.d

Title
3-WAY SCREWED BALL VALVE

Model
TD40-10S3W ~ TD65-50S3W

Drawing no.
A110214-01-10

Size
A4

Scale
N:S

Unit
mm

