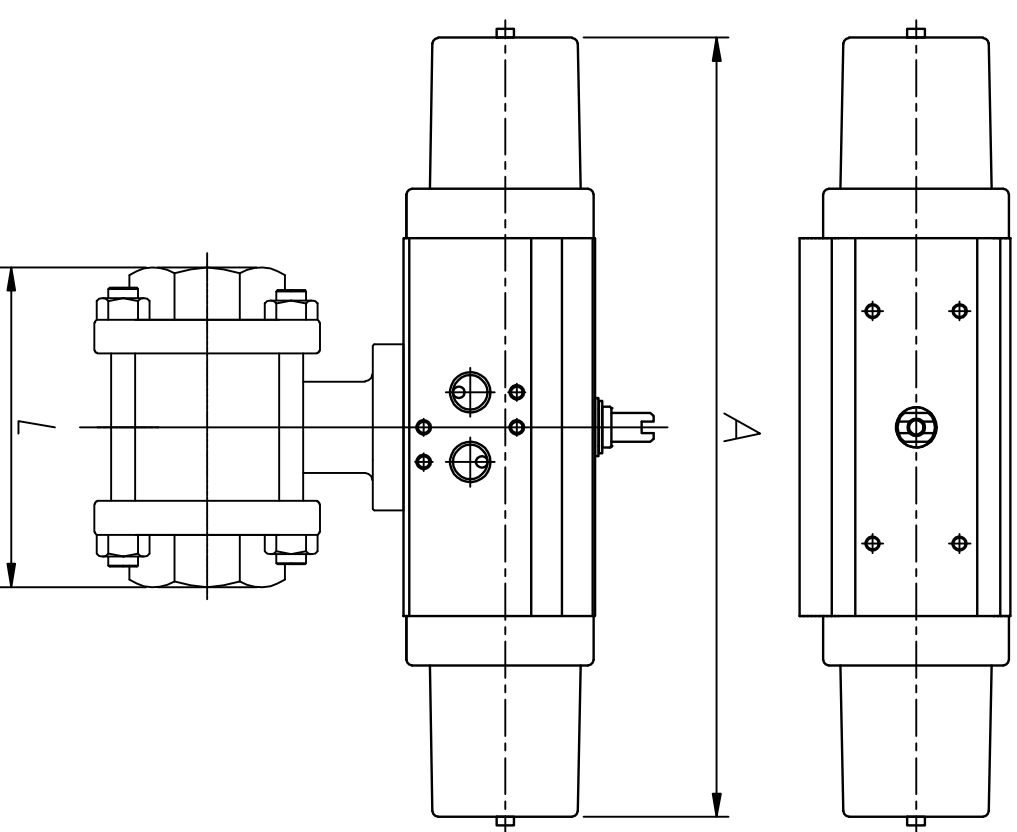
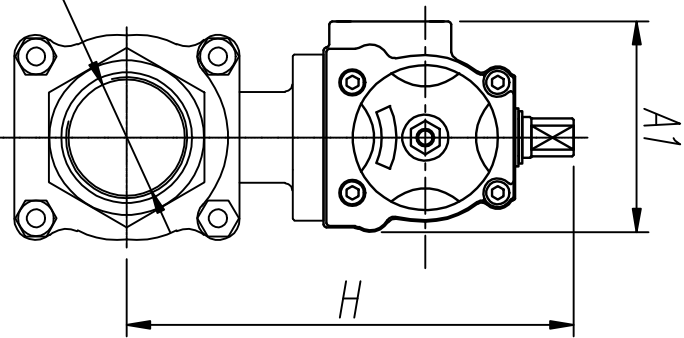


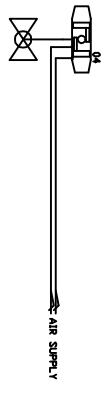
04



■ DIMENSION (mm)

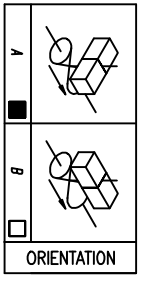
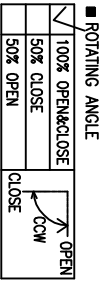
MODEL	QTY	ACTUATOR		H		L±1.6		END CONNECTION		Q		+ (Min. WALL THICKNESS)		WEIGHT (APPROX.)	
		A	A1												
TS65-50S3	-	329	83	177	130	50	-	-	-	-	-	-	-	-	-
TS65-40S3	-	329	83	175	110	40	-	-	-	-	-	-	-	-	-
TS65-32S3	-	329	83	167	100	32	-	-	-	-	-	-	-	-	-
TS50-25S3	-	268	73	144	85	25	-	-	-	-	-	-	-	-	-
TS50-20S3	-	268	73	134	75	20	-	-	-	-	-	-	-	-	-
TS40-15S3	-	110	60	115	65	15	-	-	-	-	-	-	-	-	-
TS40-10S3	-	110	60	115	60	10	-	-	-	-	-	-	-	-	-
TS40-8S3	-	110	60	115	60	8	-	-	-	-	-	-	-	-	-

■ INSTALLATION SCHEMATIC



NO.	PART NAME	QTY	MATERIAL	REMARK
1	BODY	1	SCS14	
2	BALL	1	SUS316	
3	BACK SEAT	1	PTFE	
4	ACTUATOR	1	TS	KOREAW
5				
6				
7				
8				
9				
10				
11				
12				
13				
14				
15				

TAG NO.



Rev.	Date	Description	Pre-d	Ch'e'd	App'd

Designed by: \_\_\_\_\_  
Checked by: \_\_\_\_\_  
Approved by: \_\_\_\_\_

Title  
3-PIECE SCREWED BALL VALVE

Model  
TS40-8S3 ~ TS65-50S3

Drawing no. A110117-01-04  
Size A4  
Scale N:S  
Unit mm

