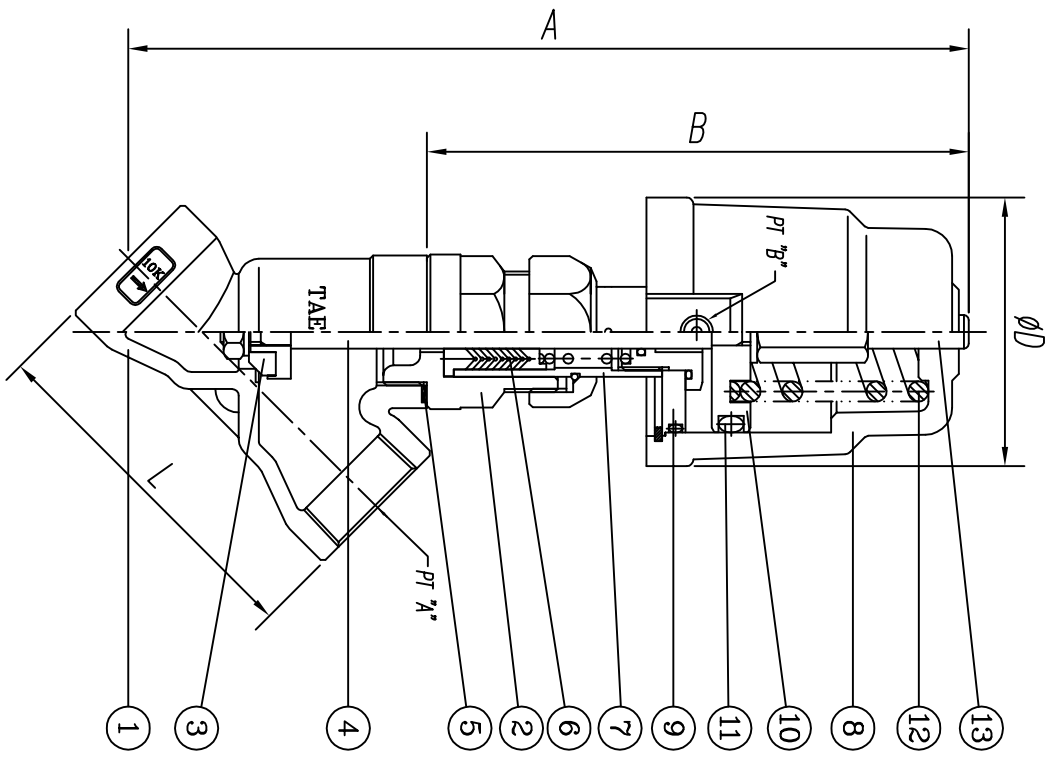


25



■ DIMENSIONS

Model	SIZE		L	øD	A	B	PT-A"	PT-B"
	mm	inch						
AGV-15Y	15A	1/2"	105	80	252	262	1/2"	1/8"
AGV-20Y	20A	3/4"	105	80	252	262	3/4"	1/8"
AGV-25Y	25A	1"	105	80	252	262	1"	1/8"
AGV-32Y	32A	1-1/4"	153	100	298	183	1-1/4"	1/4"
AGV-40Y	40A	1-1/2"	153	100	298	183	1-1/2"	1/4"

■ UNIT : mm

TITLE
CYLINDER TYPE
Y - VALVE

NO	DESCRIPTION	MATERIAL
1	BODY	SUS304
2	BODY COVER	SUS304
3	DISC	TEFLON
4	STEM	SUS304
5	GASKET	TEFLON
6	V-PACKING	TEFLON
7	PACKING HOUSING	SUS304
8	CYLINDER	AL, ALLOY
9	CYLINDER COVER	BsBM
10	PISTON	AL, ALLOY
11	PISTON O-RING	N.B.R
12	SPRING	SUP10
13	INDICATOR	BsBM

FOR APPROVAL

Designed by PARK D. G	Checked by	Approved	File name GS	Date 2009.06.03	Scale N:S	Unit mm
			Title "A" TYPE CYLINDER VALVE	Drawing no. TS090603-02		
			Model CYLINDER			