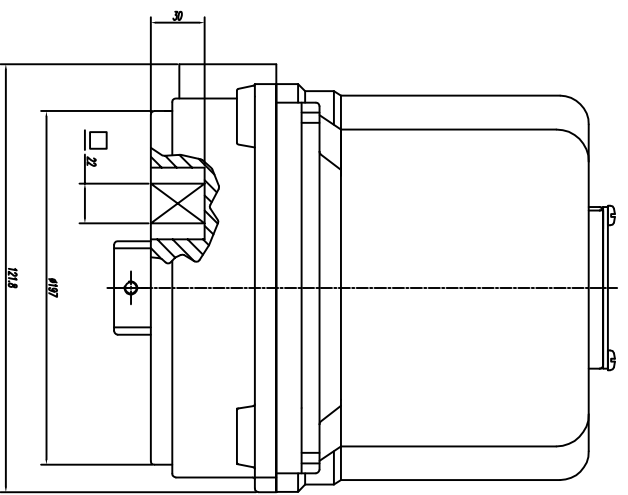
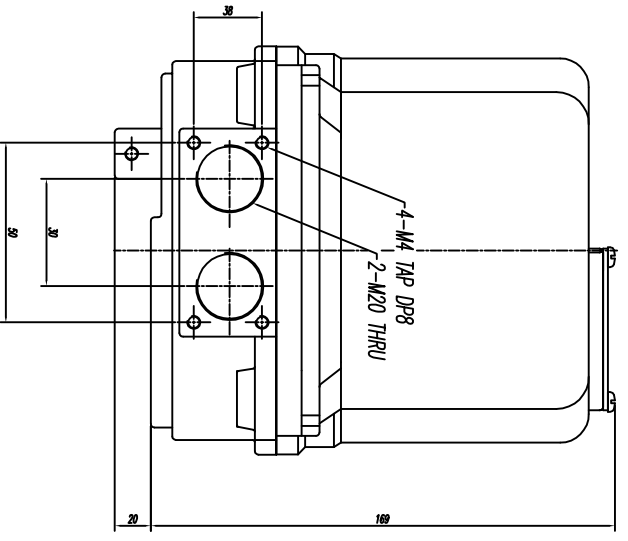
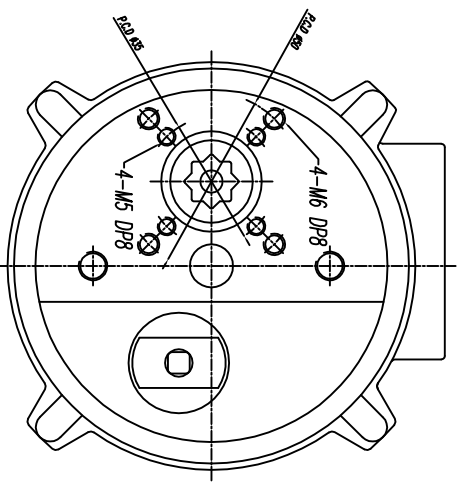
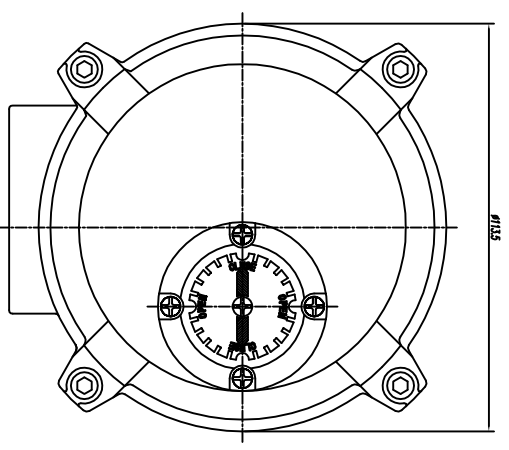


1



TITLE  
ELECTRIC ACTUATOR  
ATM 0060

NO	DESCRIPTION	MATERIAL	QTY	REMARK
1	BODY	AC2B	1	AC4C
2	TOP COVER	AC2B	1	AC4C
3	HANDLE	AC2B	1	
4	LEVER	SM45C	1	SUM24L
5	BASE	GF250	1	
6	DRIVE BUSING	SM45C	1	
7	INDICATOR	PC	1	
8	CONDUIT ENTRIES		1	PF3/4"
9	STOPPER BOLTS	SUS316	1	M10X60

FOR APPROVAL

Actuator Specification

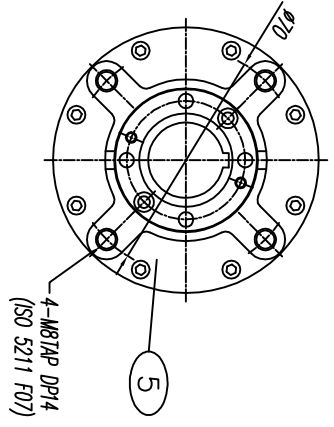
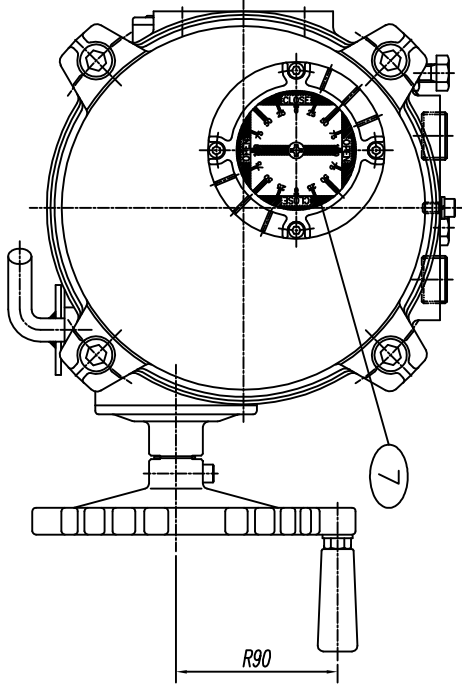
Specification	Type
Enclosure	Electric actuator
Main Power supply	Weather proof IP66
Operating time (50/60Hz)	110/220V AC 1Ph/50/60Hz
No of Handle turns	20/14
Weight	90° - 9
Ambient temperature	5Kg
	-20°C ~ 70°C

Designed by	Checked by	Approved - date	File name	Date	Scale	Unit
PARK, D. G			MOTOR	2009.05.01	N:S	mm

Title		ATM 0060	
Model	Drawing no.		TS090501-01
ATM			



2

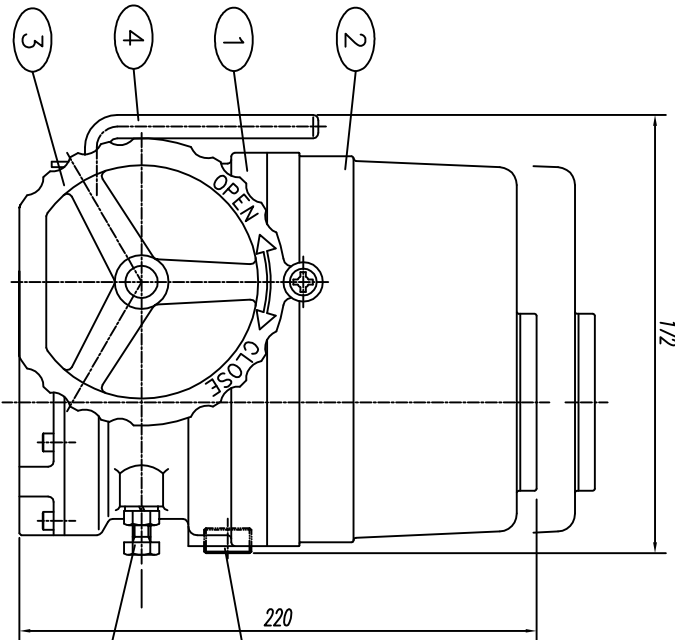
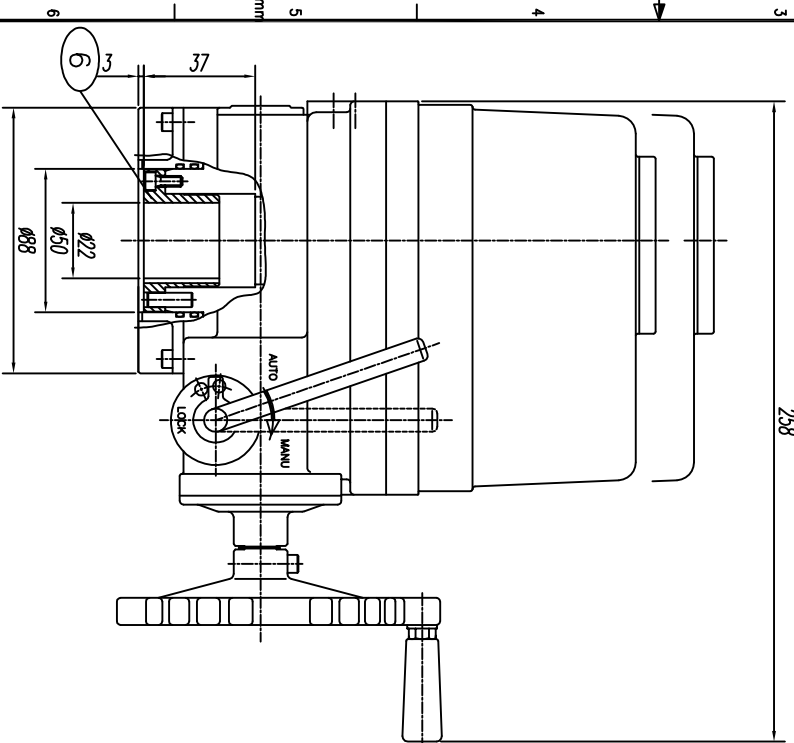


258

R90

172

220



TITLE  
ELECTRIC ACTUATOR  
ATM 0100

NO	DESCRIPTION	MATERIAL	Q'TY	REMARK
1	BODY	AC2B	1	AC4C
2	TOP COVER	AC2B	1	AC4C
3	HANDLE	AC2B	1	
4	LEVER	SM45C	1	SUM24L
5	BASE	GF250	1	
6	DRIVE BUSING	SM45C	1	
7	INDICATOR	PC	1	
8	CONDUIT ENTRIES		1	PF3/4"
9	STOPPER BOLTS	SUS316	1	M10X60

FOR APPROVAL

Actuator Specification

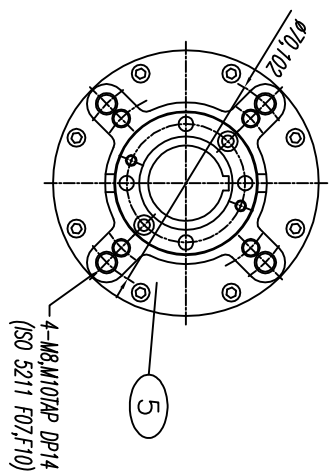
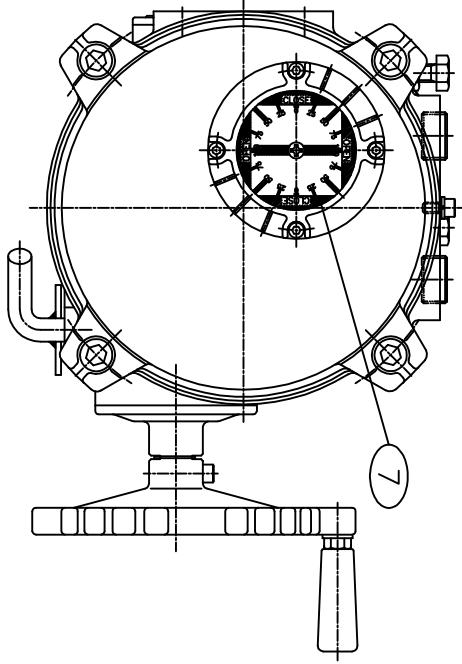
Specification	Type	Electric actuator
Enclosure		Weather proof IP67/NEMA4
Main Power supply		110/220/380/440V AC 1Ph/50/60HZ
Operating time (50/60Hz)		21/18
No of Handle turns		90 - 14
Weight		7kg
Ambient temperature		-20°C ~ 70°C

Designed by	Checked by	Approved - date	File name	Date	Scale	Unit
PARK, D. G			MOTOR	2009.05.01	N:S	mm



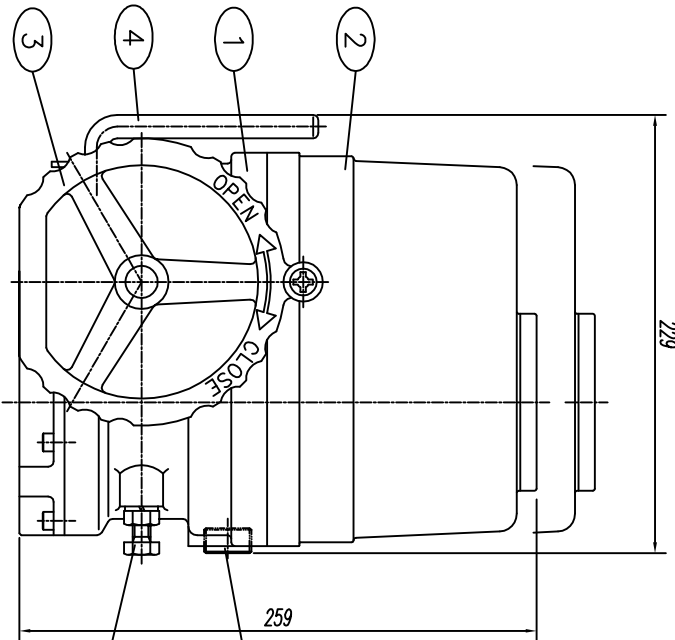
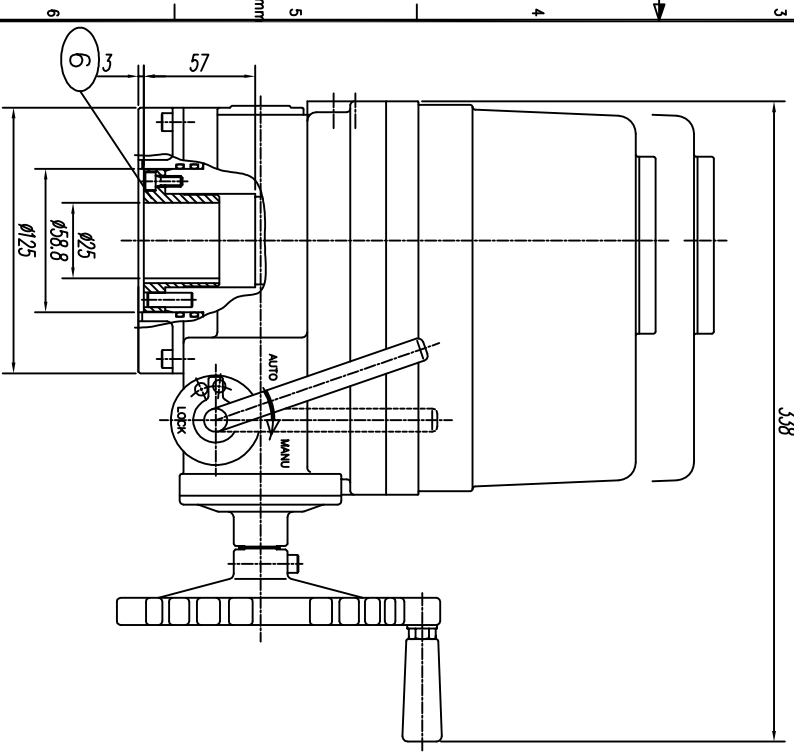
Title		ATM0100	
Model	ATM		Drawing no.
		TS090501-02	

3



338

229



TITLE  
ELECTRIC ACTUATOR  
ATM 0160,0240

NO	DESCRIPTION	MATERIAL	Q'TY	REMARK
1	BODY	AC2B	1	AC4C
2	TOP COVER	AC2B	1	AC4C
3	HANDLE	AC2B	1	
4	LEVER	SM45C	1	SUM24L
5	BASE	GF250	1	
6	DRIVE BUSING	SM45C	1	
7	INDICATOR	PC	1	
8	CONDUIT ENTRIES		1	PF3/4"
9	STOPPER BOLTS	SUS316	1	M10X60

FOR APPROVAL

■ Actuator Specification

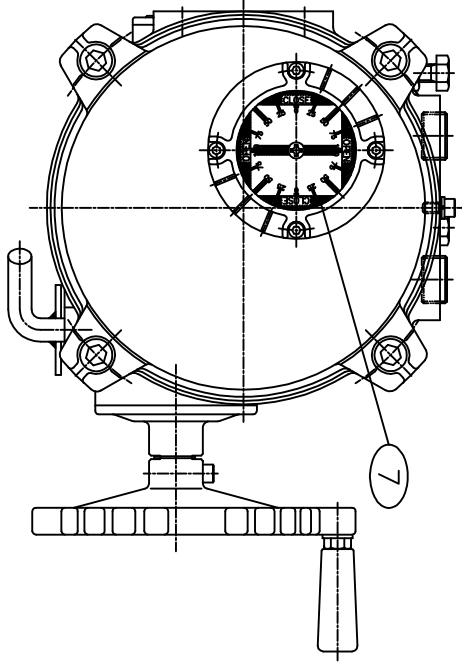
Specification	Type	Electric actuator
Enclosure		Weather proof IP67/NEMA4
Main Power supply		110/220/380/440V AC 1Ph/50/60HZ
Operating time		26/22
No of Handle turns		90 - 14
Weight		15Kg
Ambient temperature		-20°C ~ 70°C

Designed by	Checked by	Approved - date	File name	Date	Scale	Unit
PARK, D. G			MOTOR	2009.05.01	N:S	mm

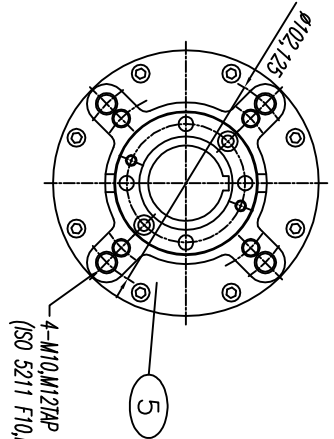


Title	ATM-0160,0240
Model	ATM
Drawing no.	TS090501-03

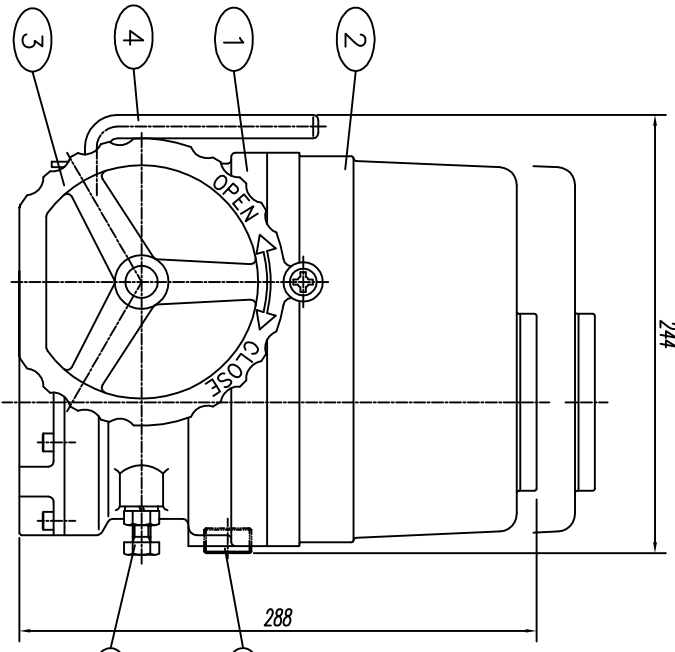
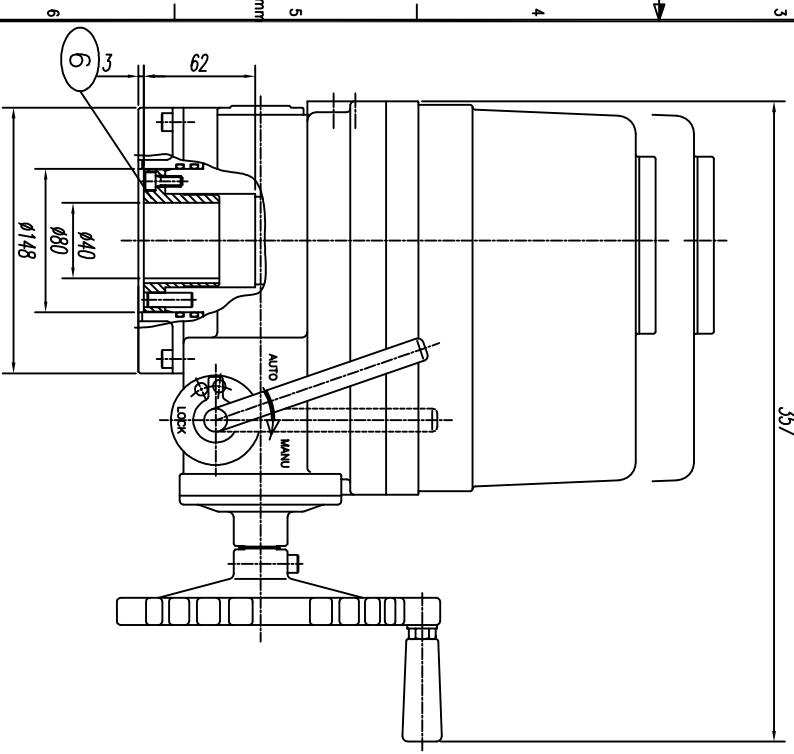
4



357



4-M10xM12HP DP20  
(ISO 5211 F10,F12)



TITLE  
ELECTRIC ACTUATOR  
ATM 0350,0600

NO	DESCRIPTION	MATERIAL	Q'TY	REMARK
1	BODY	AC2B	1	AC4C
2	TOP COVER	AC2B	1	AC4C
3	HANDLE	AC2B	1	
4	LEVER	SM45C	1	SUM24L
5	BASE	GF250	1	
6	DRIVE BUSING	SM45C	1	
7	INDICATOR	PC	1	
8	CONDUIT ENTRIES		1	PF3/4"
9	STOPPER BOLTS	SUS316	1	M10X60

FOR APPROVAL

Actuator Specification

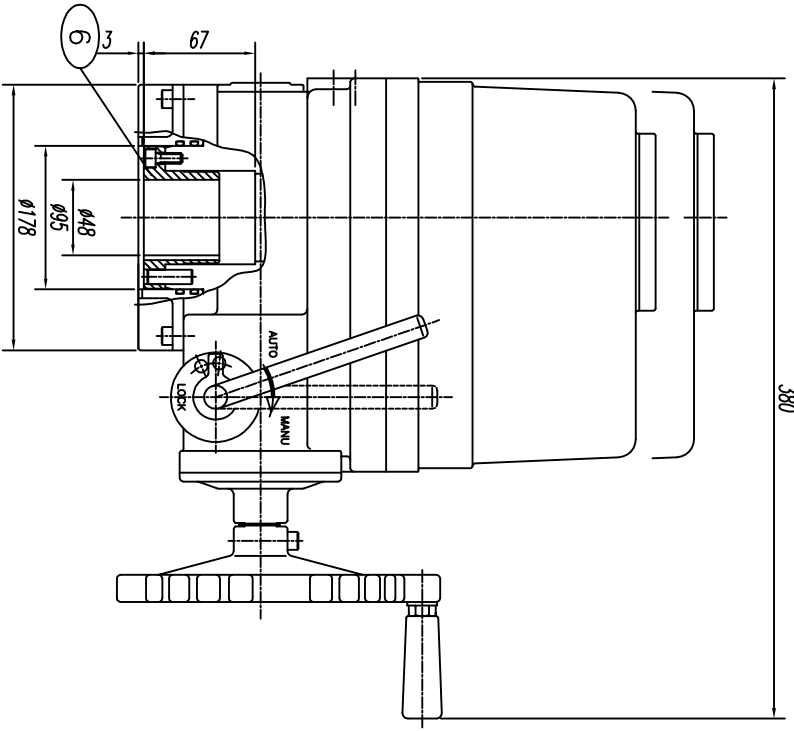
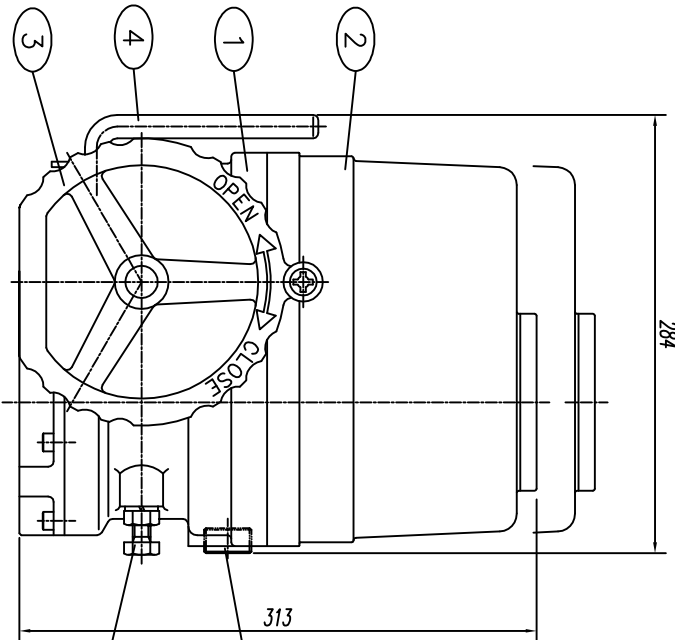
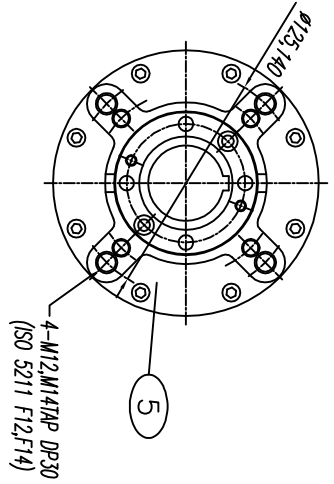
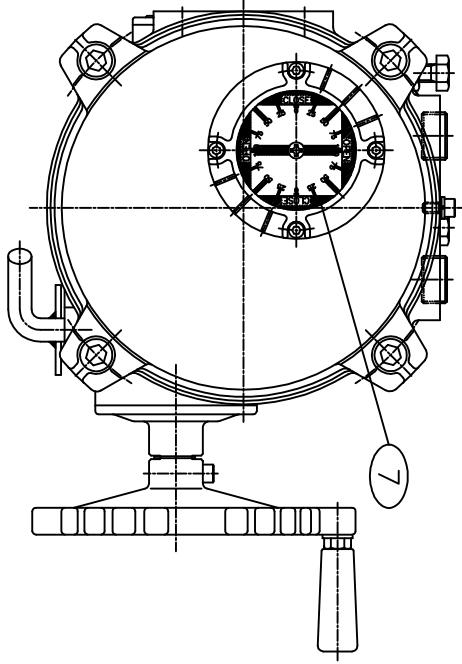
Specification	Type	Electric actuator
Enclosure		Weather proof IP67,NEMA4
Main Power supply		110/220/380/440V AC 1Ph/50/60HZ
Operating time		31/26
No of Handle turns		90° - 14
Weight		20Kg
Ambient temperature		-20°C ~ 70°C

Designed by	Checked by	Approved - date	File name	Date	Scale	Unit
PARK, D. G			MOTOR	2009.05.01	N:S	mm



Title	ATM-0350,0600
Model	ATM
Drawing no.	TS090501-01

5



TITLE  
ELECTRIC ACTUATOR  
ATM 0800,1100

NO	DESCRIPTION	MATERIAL	Q'TY	REMARK
1	BODY	AC2B	1	AC4C
2	TOP COVER	AC2B	1	AC4C
3	HANDLE	AC2B	1	
4	LEVER	SM45C	1	SUM24L
5	BASE	GF250	1	
6	DRIVE BUSING	SM45C	1	
7	INDICATOR	PC	1	
8	CONDUIT ENTRIES		1	PF3/4"
9	STOPPER BOLTS	SUS316	1	M10X60

FOR APPROVAL

■ Actuator Specification

Specification	Type	Electric actuator
Enclosure		Weather proof IP67,NEMA4
Main Power supply		110/220/380/440V AC 1Ph/50/60HZ
Operating time		0800:39/32, 1100:20/14
No of Handle turns		90 - 14
Weight		25Kg
Ambient temperature		-20°C ~ 70°C

Designed by	Checked by	Approved - date	File name	Date	Scale	Unit
PARK, D. G			MOTOR	2009.05.01	N:S	mm



Title	ATM-0800,1100
Model	ATM
Drawing no.	TS090501-05